

# Vapour Recovery Vent

The Civacon T195SV Vapour Recovery Vent is designed and tested for temperature range rated at -40°C to 71°C. A newcap design threads into the top of the vent allows for a better seal and corrosion free design. The new design retrofits the current 1985SV and 1986SV. The presence of a locking ring prevents additional leak paths that were created by the bolt on feature of the previous 1985SV.

The locking ring allows more freedom for mounting the vent to the normal TTMA bolt pattern. Seals have been improved to be more compatible with chemicals that could potentially come into contact with them.



T195SVE, Vapour Recovery Vent

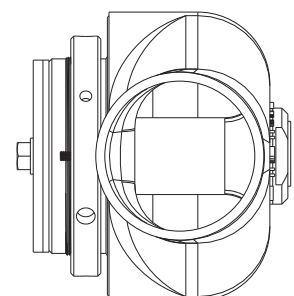
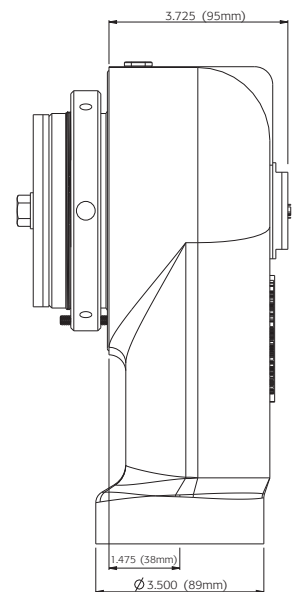
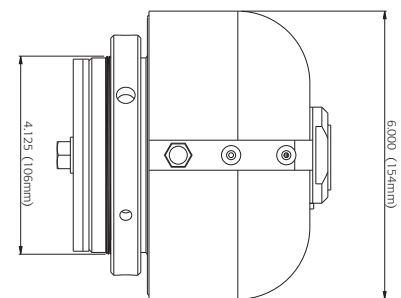
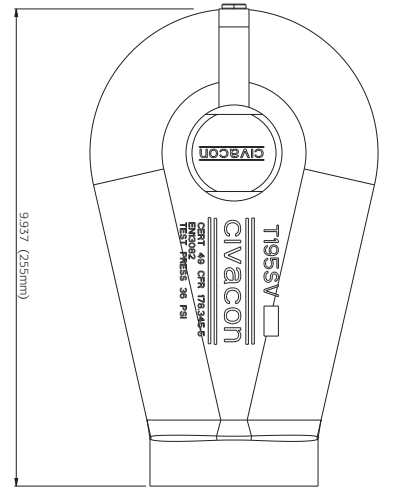


## Features and Benefits

- **Lightweight** aluminum body
- **Valve stroke increased** by 50% (1-1/2" total seat opening)
- **Increased** Spring Tension for a quick, tight closure
- **Dual fluorosilicon piston** o-ring seals and a new lower shaft seal and wiper protects the air system
- **New added external** exhaust port for quicker opening and closing of vent's poppet
- **Viton GF** Gaskets and Seals
- **Thread-in** Cap Design eliminates snap ring
- **Improved** flow rating and less pressure drop
- **New rotatable mounting** design eases retrofits
- **Will fit in place of** all TTMA flange mounted vents
- **Single o-ring seal** to manhole plate minimizes potential mounting leak paths of bolted designs

## Specifications

### VAPOUR RECOVERY VENT T195SVE



## General specifications

### T195SVE

- Pressure Drop 0,5 mbar at 2,400 lpm
- Connections 1/8" BSP
- Weight 2,5 kg

## Spare parts

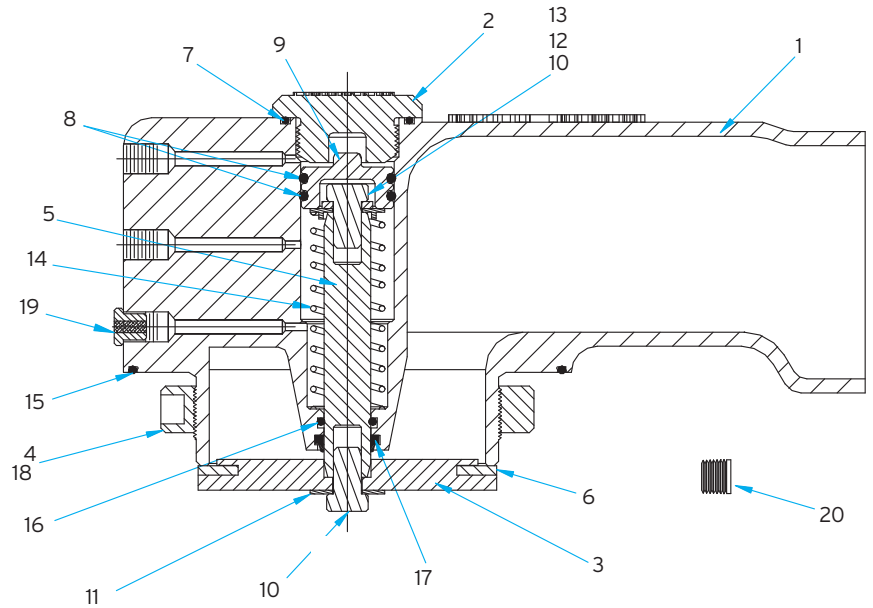
### Repair kit

T195SVRK

Item	Part Nr	Description	QTY.
1	11669	BODY	1
2	11672	CAP	1
3	11677	POPPET	1
4	11678	LOCKING RING	1
5	11673	SHAFT	1
6	11699	GASKET, VITON GF <sup>1</sup>	1
7	11692	O-RING, VITON GF <sup>1</sup>	1
8	11776	O-RING, FLUOROSILICON <sup>1</sup>	2
9	11772	PISTON <sup>1</sup>	1
10	H20518M	SCREW	2
11	11774	SEAL WASHER	1
12	1760	LOCK WASHER	1
13	11990	SPRING GUIDE	1
14	11694	SPRING	1
15	11695	O-RING, VITON GF <sup>1</sup>	1
16	10681M	O-RING, VITON GF <sup>1</sup>	1
17	116961	WIPER	1
18	11697	SET SCREW	1
19*	11775	EXHAUST FITTING	1
20	H70319	PLUG, 1/8" NPT	1

<sup>1</sup>-Included in repair kit

\* Included only in T195SVE-X001



## Related products

Art. number	Description
K1-1112-series	5-Wire optic overfill sensor
K1-5300E	5-Wire optic overfill sensor
1551-series	2-Wire optic overfill sensor
5350E	2-Wire optic overfill sensor (replaces 1551-0018B)
5650E	2-Wire optic overfill sensor (replaces 1051-0018B)
T400-series	Manhole cover assembly
NV3000E	Internal pressure/vacuum vent

## Ordering specifications

Art. number	Description
T195SVE	Vapour Recovery Vent, 20" Manhole