

# Vapour Line Valve

CIVACON's vapour line valve provides additional safety and security when carrying hazardous liquids. Pressure is vented into the atmosphere when it is not sealed for vapour transfer. In case of vapour transfer, vapour line valve is closed.



1995TWD-2, Vapour Line Valve

## Features and Benefits

- In accordance with API RP 1004 and EN13082
- **Stainless Steel** flame arrestor covering inlet/outlet port
- **Mounting flange** 3" TW
- **Compact design** in 3" (±80 mm)
- **Constructed of Aluminum** with corrosion-resistant trim
- **Operates** in temperature range of -20°C to +70°C
- **Self-opening at vacuum** of 6 kPa (60 mbar)
- **VITON® GFLT seals** compatible with all fuel grades and additives

## Ordering specifications

Art. number	Description
1995TWD-2B	3" Sequenced vapour line valve with TW-flange
1995TWD-SV	3" Sequenced smart vent vapour line valve with TW-flange

## General specifications

### 1995 TWD-2 Vapour Line Valve

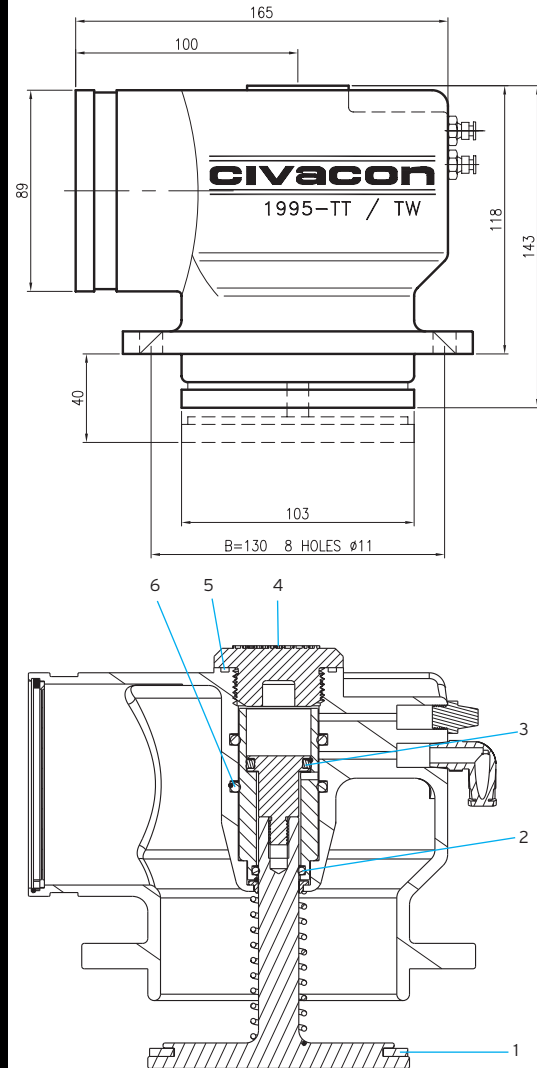
- Nominal size 3"
- Working pressure 5 bar (500 kPa)
- Working temperature -20°C to +70°C
- Mounting flange 3" TW
- Seals Viton GFLT
- Weight 2,2 Kg

## Related products

Art. number	Description
T195-series	Vapour recovery valve
633LVB	Vapour recovery adaptor

## Specifications

### 1995TWD



## Spare parts

### Repair kit

1995TWD-2BRK

Item	Part Nr	Description
1	H20069M	Disc viton
2	H70312	O-ring
3	H70311	Quad-ring
4	11672	Cap
5	11692	O-ring viton
6	H70216	O-ring

*Spare part only supplies as complete kit*