

Manhole Cover T400-series

CIVACON T400 manhole-cover is designed to achieve optional customer flexibility for manhole-cover applications.

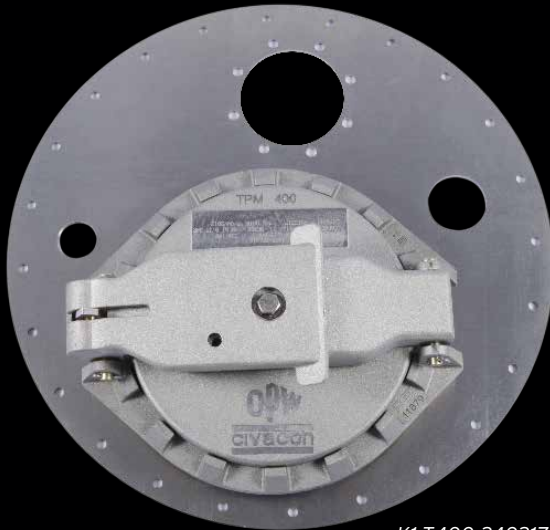
The T400 is composed from a Pressure-activated Fill-cover for additional tanker security and separate base-cover to meet specific requirements.



H71521, Base Plate model



T400-PFC01A, Pressure Activated Fill-cover



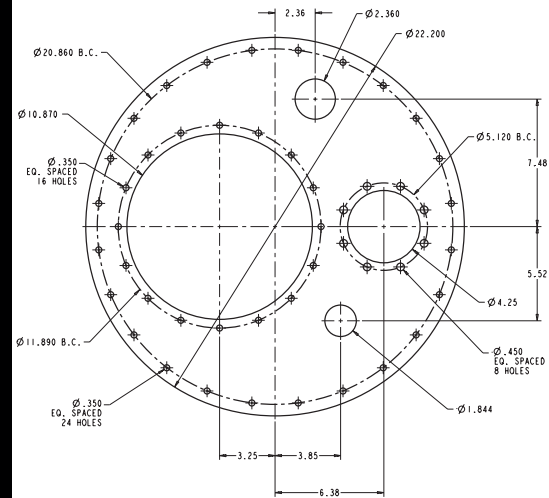
K1-T400-240217GJ

Features and Benefits

- **Complies** with EN13314 (fill-cover) and EN13317 (base-cover)
- **Pressure and vacuum vent** fitted as standard for tank breathing
Various ratings available to suit operational requirements
Two vents may be fitted if required
- **Spring-loaded Pressure-activated fill cap** provides emergency fire engulfment and venting
- **Emergency venting** capacity 7000m³/h air at 350mb
- **Automatic sealing of the P/V vent** in a roll over situation
- **20" base-plate** for access compliance with ADR
- **Two-stage opening** allows safe release of residual compartment pressure before fully opening fill cap
- **Lockable** - available with key lock
- **Secure 24-bolt fixing** as required by ADR
- **Lightweight pressed aluminium base-plate** material complies with EN13094
- **Security facility** for padlock, wire or plastic seal

Specifications

BASE PLATE EXAMPLES



General specifications

- Base plate - Standard 20"
- Customer specified (material, hole pattern, dimension)
- Weight 20" base plate

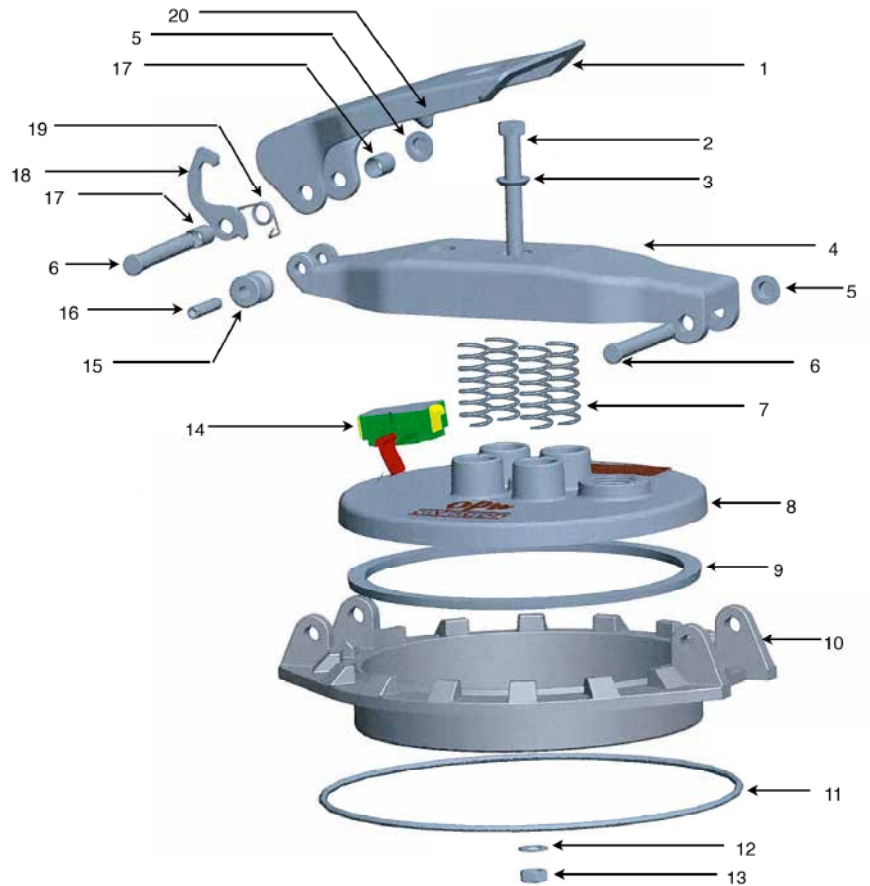
Aluminium	2,8 Kg
Carbon steel	7,8 Kg
Stainless Steel	7,9 Kg
- Weight PAF 6,7 Kg

All dimensions are in inches

Manhole Cover T400-series

Spare parts

Item	Part number	Description
1	11733	Latch
2	11735	Screw
3	11737	Swivel Plug
4	11731	Strong Back
5	1020	Pal Nut
6	4679	Hinge Pin
7	11728	Spring
8	11682	Fill Lid
9	12022	Cover Seal
10	11680	Frame
11	11740	O-Ring
12	9874	Seal Washer
13	1926	Nut
14	11979	Lock Assembly (Optional)
15	11730	Latch Roller
16	11732	Roller Pin
17	11743	Latch Bushing
18	11736	Latch Hook
19	11729	Latch Spring
20	11952	Lock Pin (Optional)



Related products

Art. number	Description
K1-1112-series	5-Wire optic overfill sensor
K1-5300E	5-Wire optic overfill sensor
1551-series	2-Wire optic overfill sensor
5350E	2-Wire optic overfill sensor (replaces 1551-0018B)
5650E	2-Wire optic overfill sensor (replaces 1051-0018B)
NV3000E	Internal pressure/vacuum vent
T195-series	3" Vapour recovery valve
LC01013	Dip tube assembly, L= 2 m

Ordering specifications

Art. number	Description
T400-PFC01A	Pressure activated fill-cover (PAF) with lock

Examples of manhole covers:

K1-T400-240217GJ	20" Bolted self latching aluminium manhole cover with PAF, lock and mounting holes for overfill sensor, vapour recovery valve & dip tube
------------------	--

