

OPW Hydrogen Nozzles for 350Bar H35 Fueling

OPW Hydrogen Nozzles are designed for demanding 350Bar, Hydrogen fueling systems. These nozzles are designed and manufactured to exacting engineering specifications for fueling safety and efficiency. User friendly, ergonomic, durable and rigorously tested for reliable fueling in multiple applications.

Features

- ◆ Standardized H35 profile ensuring compatibility with your systems
- ◆ Optimized Flow capacity for fast fueling times
- ◆ Specialized sealing materials & body construction for the unique demands of Hydrogen fueling
- ◆ Filtered to protect internal sealing components
- ◆ Dedicated Jaw-Lock technology ensuring maximum security and minimal wear on receptacle interface

Materials

Body: 300 Series Stainless Steel

Jaws: 300 Series Stainless Steel

Seals: Specially compounded polymers and elastomers

Specifications:

Temperature Range	-40°C to 85°C
Service Pressure (HSL)	350 Bar
Dispenser Pressure (Ps)	485 Bar
Design Pressure	525 Bar

Nominal Bore (DN): 8mm

Listings and Certifications



ISO17268

CRN



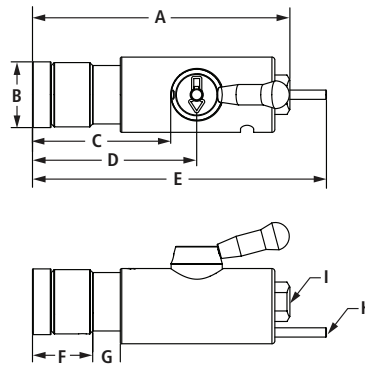
CT1A350
(Type A)



NTCH35
(Type C)

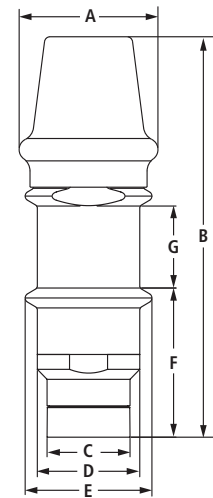
Dimensions

CT1A350



	in	mm
A	6.94	176.2
B	1.22	45
C	3.73	94.6
D	4.43	112.4
E	7.92	201.2
F	1.62	41.2
G	.74	18.9
H	.25	6.4
I	Straight Thread O-ring Boss Port SAE-6 J1926 (9/16" - 18 UNF-2B)	

NTCH35



	in	mm
A	2.37	60.20
B	6.64	168.91
C	1.42	36.07
D	1.75	44.45
E	2.17	55.12
F	2.48	62.96
G	1.36	34.60
Inlet Connection: Straight Thread O-ring Boss Port SAE-6 J1926 (9/16" - 18 UNF-2B)		

Ordering Specifications

Product #	Type/Size	Shipping Weight	
CT1A350	Type-A H35 Fuel Nozzle	3.75 lbs	1.7 kg
NTCH350	Type-C H35 Fuel Nozzle	1.32 lbs	0.6 kg

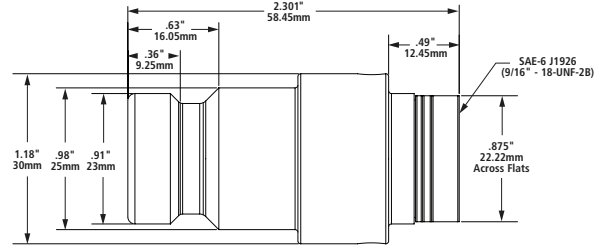
OPW Hydrogen Receptacles for 350Bar H35 Fueling

OPW Hydrogen Receptacles are designed for demanding 350Bar, Hydrogen fueling systems. These receptacles are designed and manufactured to exacting engineering specifications for fueling safety and efficiency. Rigorously tested for unique vehicle applications.

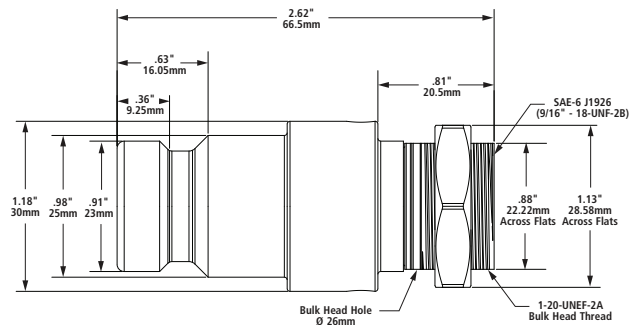


Dimensions

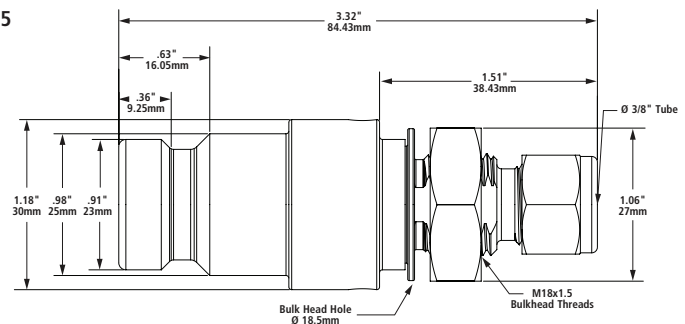
RH35



RH35B



RH35B375



Features

- ◆ Standardized H35 profile ensuring compatibility with your systems
- ◆ Optimized Flow capacity for fast fueling times
- ◆ Specialized sealing materials & body construction for the unique demands of Hydrogen fueling
- ◆ Non-Contact internal check valve that activates only with correct differential fueling pressure
- ◆ Multiple mounting configurations
- ◆ Vented Polymer Dust Cap included

Materials

Body: 300 Series Stainless Steel

Poppet: 300 Series Stainless Steel

Seals: Specially compounded polymers and elastomers

Specifications:

Temperature Range -40°C to 85°C

Service Pressure (HSL) 350 Bar

Dispenser Pressure (Ps) 485 Bar

Design Pressure 525 Bar

Nominal Bore (DN): 8mm

Ordering Specifications

Product #	Type/Size	Shipping Weight
RH35	H35 Receptacle with wrench flats, Female inlet	0.31 lb 0.14 kg
RH35B	H35 Receptacle with Bulkhead Nut, Female inlet	0.44 lb 0.20 kg
RH35B375	H35 Receptacle with Bulkhead Nut and Tube-Fitting	0.44 lb 0.20 kg
61016	Replacement Protective Cap	
216741	Replacement Interface O-Ring	



ISO17268 **CRN** ECE 134