



Transition sumps provide secondary containment for under-to-above ground piping connections.

OPW-FCS offers a variety of *Transition sumps* that are used to provide secondary containment for the fitting connections where underground piping transitions to above ground piping. Transition sumps are commonly used where above ground storage tank supply lines transition to underground supply lines, and where underground vent lines transition to a vent stack.

Sump Features

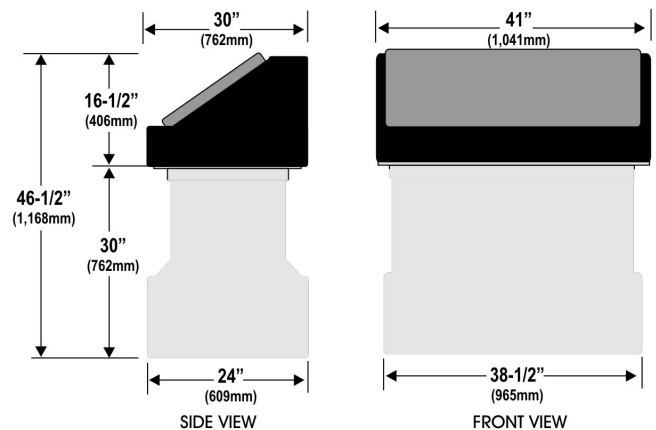
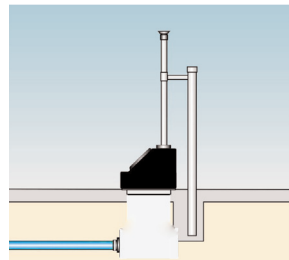
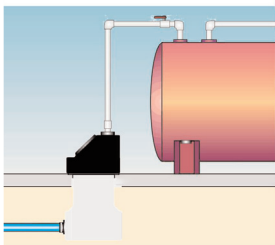
- Non-corroding, polyethylene sump container
- Weatherproof lockable cover
- Exterior anchoring system
- Convenient interior access
- Internal riser stabilizer bar

AST Application

Provides secondary containment and accessibility to the fittings that connect the underground supply piping to the rigid supply piping that leads from an above ground storage tank.

Vent Stack Application

A Transition Sump is used for containment and accessibility to the fittings. At the vent stack, where the underground vent piping connects to the rigid vent stack piping.

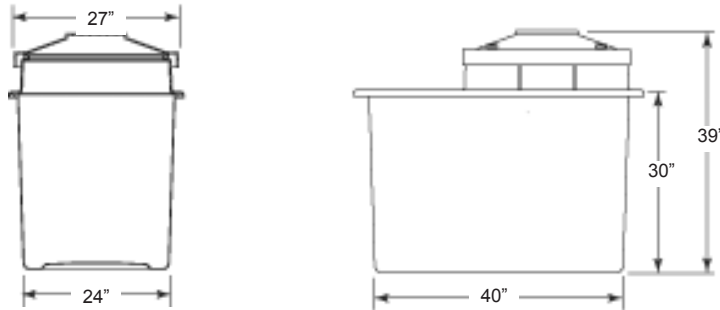


PTS-4021 - Two-Piece Transition Sump



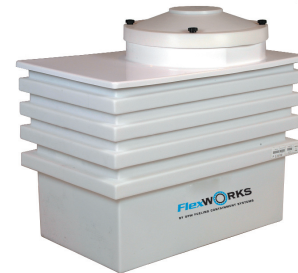
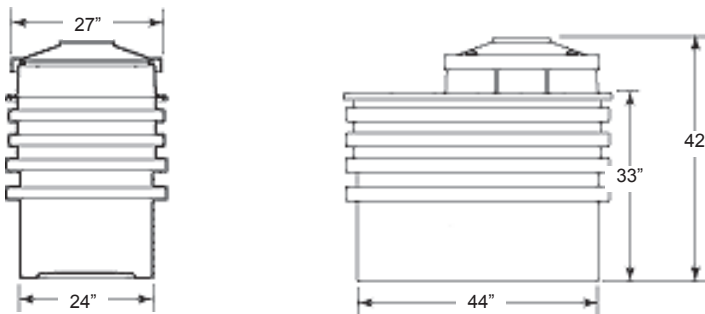
Model PSTF-4630 Transition Sump (Fiberglass Sump/Fiberglass Top)

- Large, injection-molded FRP containment chambers are stackable for convenient shipping and storage.
- Removable FRP top allows maximum access during installation of fittings and equipment, and provides a rigid entry fitting area adjacent to the cover for vertical entry of above-grade piping.



Model PST-4630 Transition Sump (Polyethylene Sump/Fiberglass Top)

- Large, heavily ribbed polyethylene containment chamber provides structural rigidity.
- Adjustable to a minimum of 26"



Model PST-5030 One Piece Polyethylene Transition Sump

- Flat entry fitting area extending from the sump base accommodates vertical pipe entries.
- Heavily ribbed riser provides strength and rigidity.
- Adjustable to a minimum of 29"

