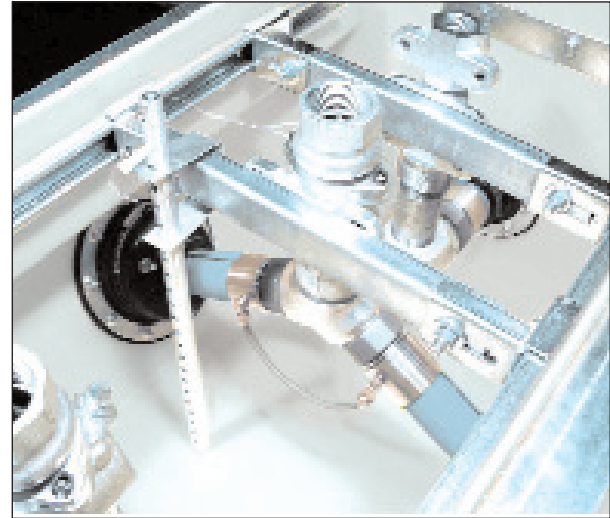




## PetroTrip™ is an automatic leak detector for dispenser sumps.

PetroTrip™ is an automatic shut-off device designed to trip a shear valve in the event of fuel collecting in a dispenser sump. This telescoping, spring loaded sensor, automatically releases when it comes in contact with fuel inside the sump. When activated, a trip wire connecting the top of the PetroTrip™ to the fusible link of the shear valve trips the valve.

PetroTrip™ can be installed in new or existing dispenser sumps, without excavation and in a matter of minutes. PetroTrip™ is compatible with most shear valves.



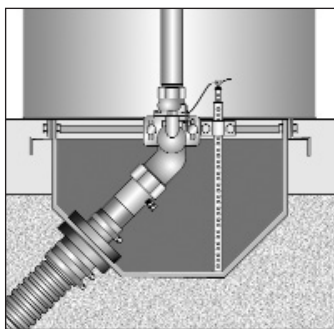
## Features & Benefits

- Low cost leak detection
- Simple and fast to install
- Over 15 years of proven service
- Non-electronic - no wires and no boxes
- Detects gasoline and diesel
- Can detect fuel on standing water or ice
- Only one required per sump
- No excavation required
- Installs in all dispenser sumps
- Easy to reinstate after a leak event
- Forces inspection of the dispenser sump

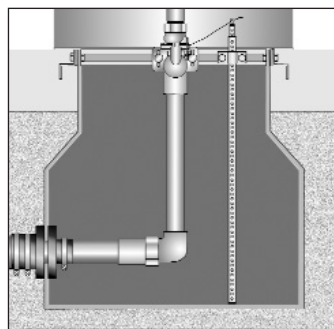
## How PetroTrip™ Works!

PetroTrip™ incorporates two spring loaded telescoping perforated tubes. A small diameter composite rod holds inner spring tension until coming in contact with fuel. The rod quickly degrades, releasing the spring and expanding the tube. The trip wire, connected to the top of the inner tube, rapidly surges upward, pulling the fusible link and tripping the shear valve.

Low cost degradable “Sensor Rods” are available in 10 packs and are very easy to replace, to reinstate the sensor after a leak event.



Shallow Dispenser Sumps



Deep Dispenser Sumps

## Two Standard Lengths

There are two sensor lengths available, to accommodate both shallow and deep dispenser sumps. The short sensor is 16” and the long sensor is 30”. Custom length sensors are available upon request.



3250 US 70 Business West  
Smithfield, N.C., 27577-0330  
Customer Service: 1-800-422-2525  
Customer Fax: 1-800-421-3297  
Technical Service: 1-919-934-2786  
[www.opwfcs.com](http://www.opwfcs.com)

Publication: PTF-0001  
Issue Date: 01-30-08

Notice: OPW-FCS products must be used in compliance with applicable federal, state, provincial and local laws and regulations. Product selection should be based on physical specifications and limitations and compatibility with the environment and material to be handled. OPW-FCS makes no warranty of fitness for a particular use. All illustrations and specifications in this literature are based on the latest production information available at the time of publication. Prices, materials and specifications are subject to change at any time, and models may be discontinued at any time, in either case, without notice or obligation. For complete OPW-FCS warranty information, visit our web site at [www.opwfcs.com](http://www.opwfcs.com).