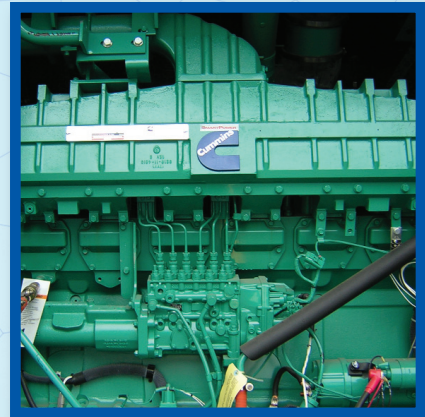


FLEXWORX

BY OPW FUELING CONTAINMENT SYSTEMS

FLEXIBLE PIPING SYSTEMS FOR FUEL OIL AND GENERATOR APPLICATIONS

3/4" and 1"
UL 971 Listed and
California Compliant





Flexible Piping Systems for Fuel Oil and Generator Applications

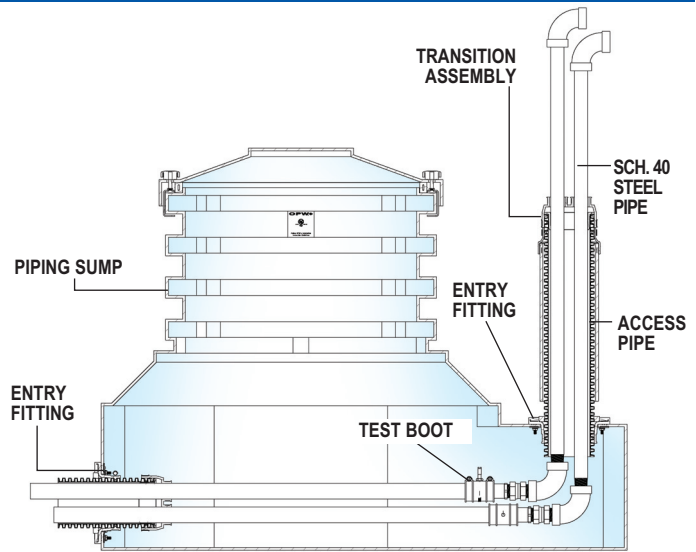
The FlexWorks Fuel Oil Piping System is designed to provide a reliable fuel supply system to generators and boilers from remote fuel tanks. Typical applications include both a 3/4" supply and a 1" overflow return line running from a remote AST or UST to a generator engine or boiler day tank. Both lines are typically inserted into a common FlexWorks Access Pipe to provide retractable access to the fuel lines.

FlexWorks Fuel Oil Pipe is shipped in continuous lengths and is typically cut to length on site. A FlexWorks female Swivel Fuel Oil Pipe Coupling is field installed. The female swivel couplings mate with male NPT Transition Adaptors to make the appropriate connections to standard NPT Pipe Fittings and Valves.

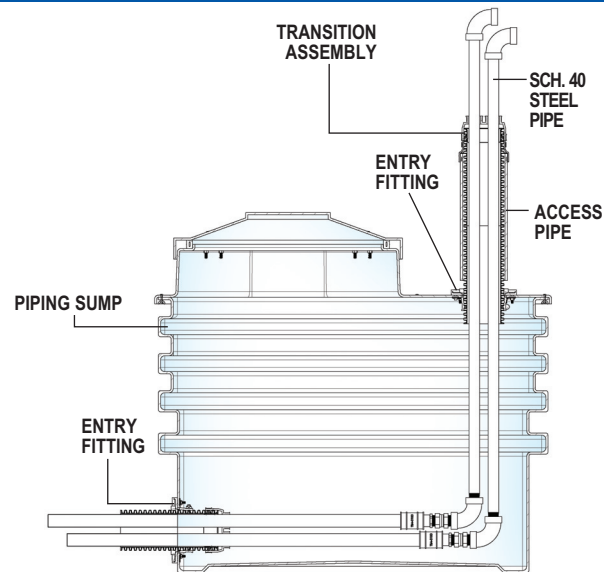


3250 US 70 Business West • Smithfield, NC 27577
 Customer Service: (800) 422-2525
 Customer Fax: (800) 421-3297
www.opwfcs.com

AST APPLICATIONS



AST APPLICATIONS



TRANSITION SUMP ASSEMBLY

