

Double Wall Swivel Fitting



FlexWORKS
BY OPW FUELING CONTAINMENT SYSTEMS



Double Wall Swivel fittings (DPC's) are a proven coupling and fitting system designed exclusively for use with FlexWorks piping

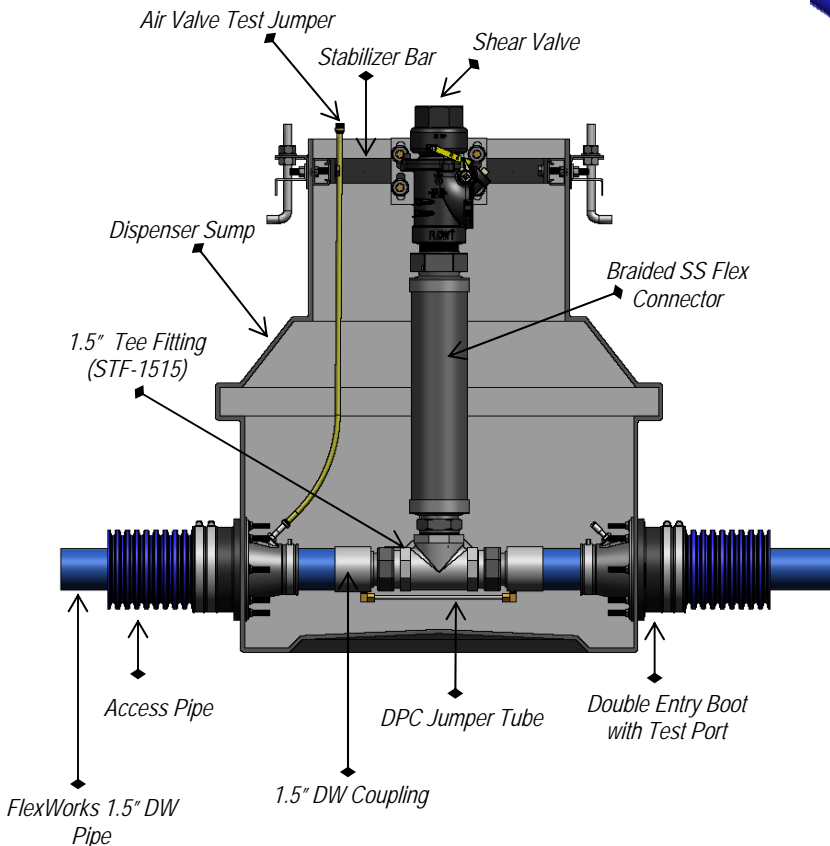
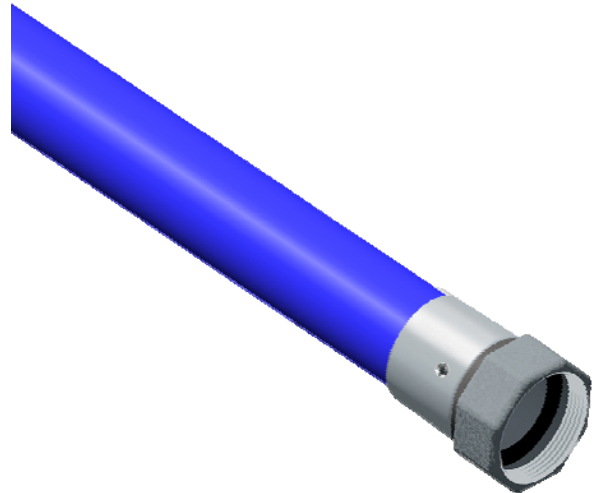
Double Wall Swivel couplings and fittings are of a double wall design and are used to interconnect FlexWorks flexible piping.

The pipe connection system includes an internally expanded stainless steel coupling attached to the end of a FlexWorks pipe section. The swivel coupling has a smooth sealing face fitted with a viton ring gasket.

Double wall Swivel Couplings eliminate the need for cutting back the secondary jacket and rubber test boots. They have an integral interstitial access port for connector and test tubes. These double wall couplings permit higher interstitial testing pressures and eliminate added parts and labor costs.

Features

- **Crush and puncture resistant**
- **Semi-smooth liner facilitates ease of installation**
- **Saves time and money**
- **No buried joints**
- **Double Wall Construction**



Double Wall Swivel Fitting Ordering Specifications

Part #	Application
DPC-2150	1.5" Double Wall Swivel Pipe Coupling, flat gasket
DPC-2200	2" Double Wall Swivel Pipe Coupling, flat gasket



Coupling Machine & Swage Kits

Double wall pipe couplings require the use of an OPW-FCS coupling machine to internally expand the stainless steel fitting onto the end of a FlexWorks pipe section. Internally expanded couplings have a long, successful history of reliable performance.

There are multiple types of Coupling Machines available. Our Electronic Coupling Machines (CME-0110 and CME-0220) as well as our Remote Coupling Machine (CME-0110R) can couple Double wall couplings. Manually operated and Pneumatic Coupling Machines are also available (CMM-200 and CMP-200).

Swage Kits are required. Swages are used with the OPW Fueling Containment Systems Coupling Machine to internally expand the coupling onto the end of the flexible pipe section. There are a variety of coupling swage kits available.

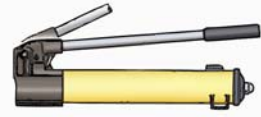
Please see the chart below for the applicable Swage Kit product numbers required for use with OPW Coupling Machines:



Electronic Coupling Machine (CME)



Pneumatic Coupling Machine (CMP)



Manually Operated Coupling Machine (CMM)

Fitting Type & Model No.	Coupling Machine Model					
		CME-0110	CME-0110R	CME-0220	CMM-200	CMP-200
1.5" DW Swivel (DPC-2150)	Swage Kit Number	CSK-0150S	CSK-0150S	CSK-0150S	SBA2-0150	SBA2-0150
2" DW Swivel (DPC-2200)		CSK-0200S	CSK-0200S	CSK-0200S	SBA2-0200	SBA2-0200



OPW Fueling Containment Systems
3250 US Highway 70 Business W.
Smithfield, NC 27577
Customer Service: 1-800-422-2525
Customer Service Fax: 1-800-421-3297
Literature Requests: 1-919-934-2786 x204
www.opwfcs.com



Publication: DPC-0002
Issue Date: 09/06/11
Supersedes: 02/02/09

Notice: OPW-FCS products must be used in compliance with applicable federal, state, provincial and local laws and regulations. Product selection should be based on physical specifications and limitations and compatibility with the environment and material to be handled. OPW-FCS makes no warranty of fitness for a particular use. All illustrations and specifications in this literature are based on the latest production information available at the time of publication. Prices, materials and specifications are subject to change at any time, and models may be discontinued at any time, in either case, without notice or obligation. For complete OPW-FCS warranty information, visit our web site at www.opwfcs.com.