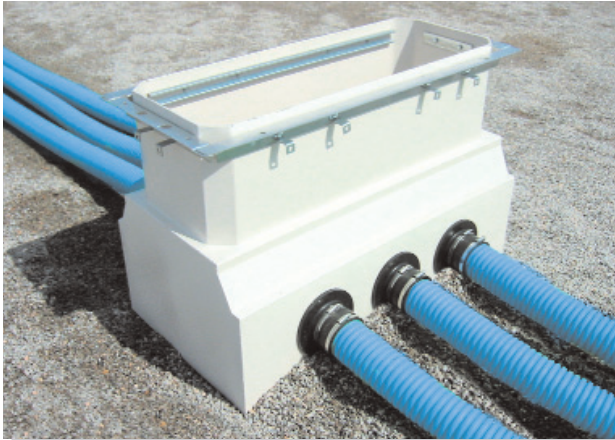


Double Flexible Entry Boots



FlexWORKS
BY OPW FUELING CONTAINMENT SYSTEMS



OPW-FCS's pipe and conduit entry seals have proven to be reliable and safe.

OPW-FCS flexible entry boots have proven to be reliable and environmentally safe seals for pipe and conduit entries into underground containment sumps. These UL Listed entry boots allow for angled pipe entries. These entry boots are available in a variety of sizes and designs to accommodate rigid and flexible piping, access pipe and conduit.

Features

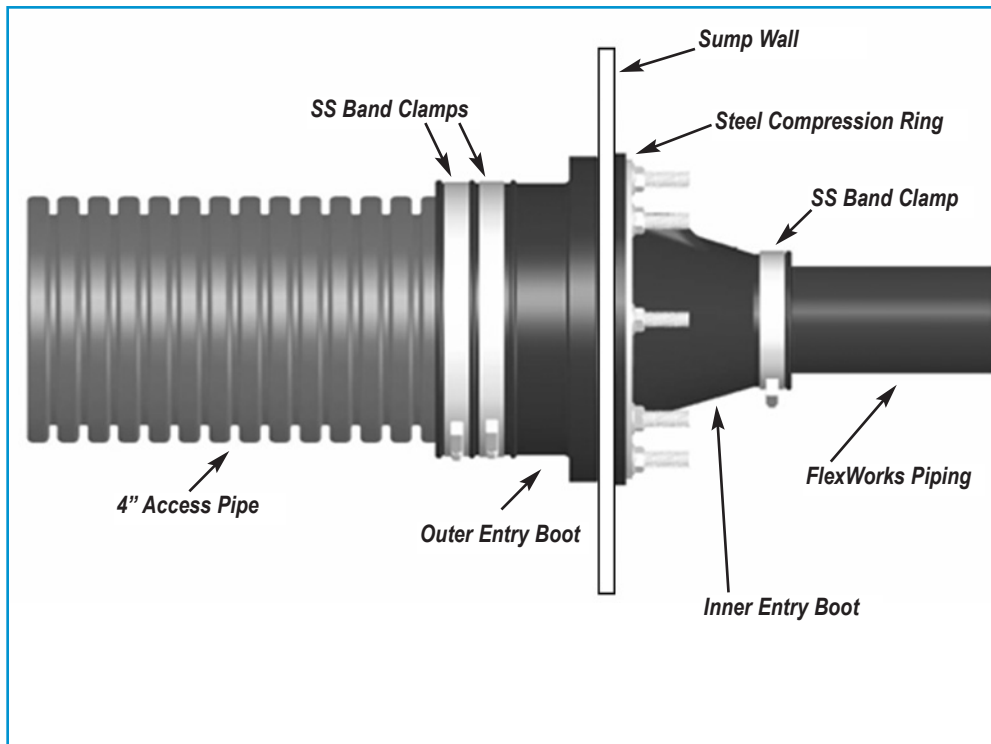
- Watertight pipe and conduit entries
- Installation on flat or round surface
- Added flexibility permitting angled entries up to 15 degrees
- Boot repair kits available
- UL Listed

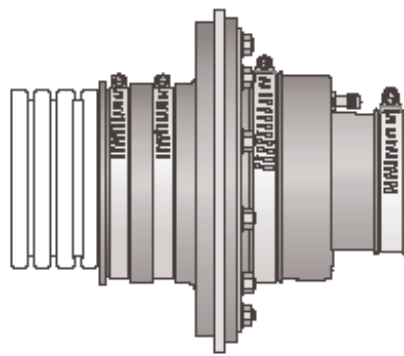
Benefits

- Provides clean dry environment
- Accommodates various site installations
- Allows for easy field adjustments
- Can be repaired if damaged
- Third party tested and approved
- Internal and external clamps for positive seal off

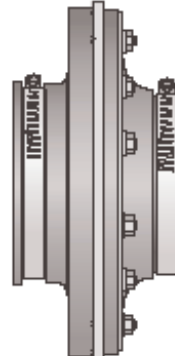
Easy Installation

Flexible entry boots are easy to install requiring no adhesives, caulking or custom tools.





Access Pipe with Double Entry Boots



Double Entry Boots

Double Flexible Entry Boot and Fitting Ordering Specifications

Part #	Application
DEB-0751	1/2", 3/4" and 1" Conduit Double Entry Boot Fitting
DEB-0150	1.5" Double Entry Boot Fitting for 1.5" DW FlexWorks Pipe
DEB-0200	2" Double Entry Boot Fitting for 2" DW FlexWorks Pipe or 2" Rigid Pipe
DEB-0200X	2" LCX Double Entry Boot Fitting for 2" Ameron LCX / MCX Pipe
DEB-0300	3" Double Entry Boot Fitting for 3" DW FlexWorks or 3" Rigid Pipe
DEB-0300X	3" LCX Double Entry Boot Fitting for 3" Ameron LCX / MCX Pipe
DEB-0400	4" Double Entry Boot Fitting for 4" Rigid Pipe
DEB-4015	4" to 1.5" Double Entry Boot Fitting for 4" FlexWorks Access Pipe to 1.5" DW FlexWorks Pipe
DEB-4020	4" to 2" Double Entry Boot Fitting for 4" FlexWorks Access Pipe to 2" DW FlexWorks Pipe