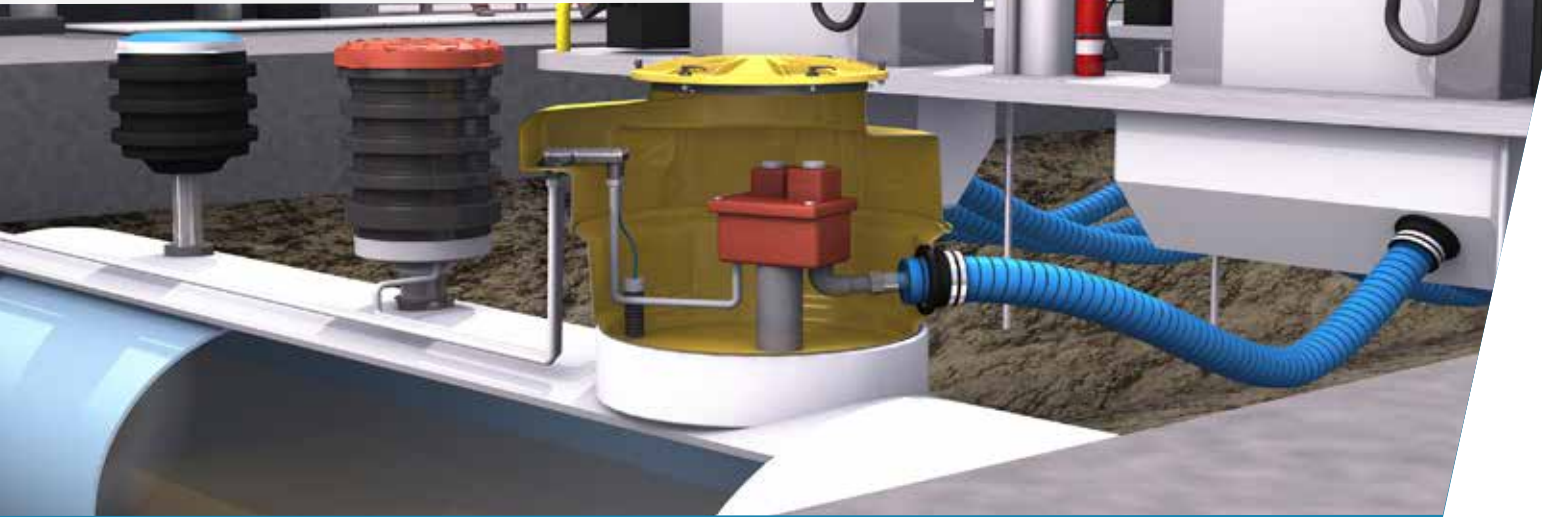


NEW!

ElectroTITE

NO DRILL DRY SUMP TECHNOLOGY*

*Patent Pending



Factory Installed
No On-Site Drilling*

*Patent Pending



Conduit Threads
On Outside of Box*

*Patent Pending



UL Listed Explosion-Proof
Junction Box*

*Patent Pending

NO DRILL | WIRE READY | WATER TIGHT

- Eliminates electrician cutting holes in sump
- Easy inspection without entering confined sump area
- Available in a wide variety of models to accommodate virtually any tank sump application
- Kwik Wire™* junction box allows for high voltage STP and low voltage sensor wires in same box. *Patent Pending
- Sealed conduits above water table
- No conduit entry fittings

Please contact your OPW District Manager to order or request more information.
Visit us at www.opwglobal.com/electrotite

OPW 
a **DOVER** company

DEFINING | WHAT'S NEXT

ElectroTite Tank Sump

Introducing the latest OPW tank sump innovation from the engineering labs of FLEXWORKS and FIBRELITE. ElectroTite is the most watertight system on the market. It ships factory installed with conduit ports and electrical wiring box – eliminating unnecessary tank sump leak points at site installation. No drill, no water, no sweat.

Features & Benefits:

Water Tight:

- ◆ Reduces the number of entry and leak points into sump
- ◆ Sealed conduit threads on outside of sump – enter above water table
- ◆ Factory installed fitting with proper torque guns, cutting tools and sealing compound

Materials:

Sump: Resin Transfer Molding (RTM) technology



Uses built-in electrical seal-offs



ElectroTITE
NO DRILL DRY SUMP TECHNOLOGY*
*Patent Pending

Versatile for Your Installation:

- ◆ UL Listed Explosion-Proof junction box allows space to re-route communication wires and loop additional sensors without entering sump
- ◆ Shield allows for high voltage and sensor wires to be separated in the same box
- ◆ Conduits can be potted entering box, exiting box, or both using built-in electrical seal-offs
- ◆ UL Listed Explosion-proof box is single-piece cast aluminum, with bolt-on access cover

Factory Installed:

- ◆ Eliminates the need to cut holes in sump for conduits
- ◆ No field-installed conduit penetrations

FXSX - X - XXXXXX

FCS = FibreTite Conduit Sump

M = Medium bury
D = Deep bury

Only available on FCS

42 = 42" Sump Base Diameter

33 = 33" Sump Lid Diameter (WT-33)

CR = Collar Ring Mount

FTS = FibreTite Tank Sump

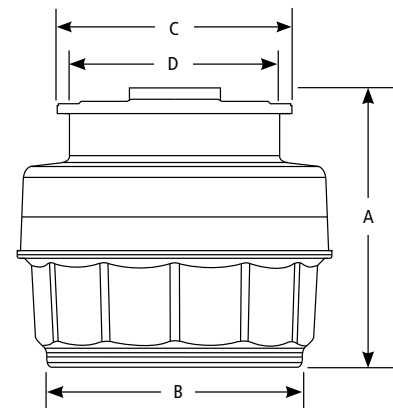
1 = One ElectroTite Conduit Box

48 = 48" Sump Base Diameter

37 = 37" Sump Lid Diameter (WT-37)

SB = Solid Bottom

2 = Two ElectroTite Conduit Boxes



Model Number	Sump Base Diameter	Max Sump Height (A)	Minimum Sump Height (B)	Sump Mount Design	Sump Lid Diameter (C)	Minimum Diameter Opening (D)	# of Conduit Boxes
FCSM-1-4233CR	42"	46"	39"	Collar Ring Mount	34.8"	29"	Single
FCSM-1-4233SB	42"	46"	39"	Solid Bottom	34.8"	29"	Single
FCSD-1-4233CR	42"	53"	47"	Collar Ring Mount	34.8"	29"	Single
FCSD-1-4233SB	42"	53"	47"	Solid Bottom	34.8"	29"	Single
FCSM-2-4233CR	42"	46"	39"	Collar Ring Mount	34.8"	29"	Dual
FCSM-2-4233SB	42"	46"	39"	Solid Bottom	34.8"	29"	Dual
FCSD-2-4233CR	42"	53"	47"	Collar Ring Mount	34.8"	29"	Dual
FCSD-2-4233SB	42"	53"	47"	Solid Bottom	34.8"	29"	Dual
FCSM-1-4837CR	48"	46"	39"	Collar Ring Mount	39.5"	34.6"	Single
FCSD-1-4837CR	48"	53"	47"	Collar Ring Mount	39.5"	34.6"	Single
FCSM-2-4837CR	48"	46"	39"	Collar Ring Mount	39.5"	34.6"	Dual
FCSD-2-4837CR	48"	53"	47"	Collar Ring Mount	39.5"	34.6"	Dual