

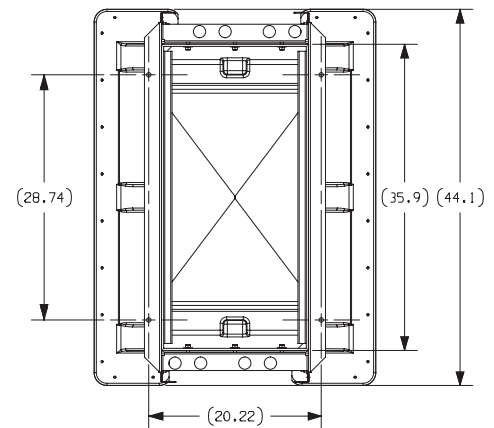
DSE Dispenser Sump

Most dispenser sumps force fueling station operators to choose between quality, speed or value. Produced using an Advanced Composite Technology manufacturing process, the DSE Dispenser Sump can deliver all three: best-in-class quality, fast lead times and affordability without sacrifice. The DSE is installed beneath fuel dispensers to provide access to secondary containment of dispenser plumbing, emergency shear valves and underground piping connections.



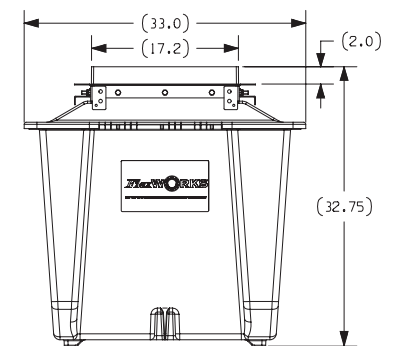
Features & Benefits:

- ◆ **Advanced Composite Technology** – The only product in the industry made by a premium, close-molded manufacturing process
- ◆ **Quick and Efficient Manufacturing Time per Unit** – Allows OPW to offer the shortest dispenser sump lead times in the industry
- ◆ **Smooth Surface on Both Sides of the Sump Wall** – Consistent wall thickness, material blend, shape and detail for a perfect product every time and strong bonds with fittings
- ◆ **One Base for All Dispenser Models** – Minimizes distributor inventory and provides the convenience of choosing the style needed
- ◆ **Compatible with all fittings and pipe** – Seamlessly works with fiberglass pipe, flexible pipe, and any industry fittings
- ◆ **Backed by OPW** – Legendary OPW quality, service, support and value



Ordering Specifications - DSE Dispenser Sumps

Sump Model #	Dimensions								Weight with Top	
	A		B		C		D		lbs.	kg
	in.	cm	in.	cm	in.	cm	in.	cm		
DSE-1836	20.22	51.36	17.20	43.69	44.11	112.04	35.90	91.19	85	38.56
DSE-1543	17.18	43.64	14.60	37.084	45.90	116.59	38.90	98.81	85	38.56
DSE-1741	18.50	46.99	16.70	42.42	44.20	112.29	38.10	96.774	83	37.65



Sump Component Part Numbers

Part #	Description
DSE-BASE	Universal Base. Combine with DSE-TOP-1836, DSE-TOP-1543, or DSE-TOP-1741 to make a complete DSE sump
DSE-TOP-1836	Gilbarco Encore Top. Combine with DSE-BASE to make DSE-1836
DSE-TOP-1543	Wayne Ovation Top. Combine with DSE-BASE to make DSE-1543
DSE-TOP-1741	Wayne Helix Top. Combine with DSE-BASE to make DSE-1741

The DSE can be ordered as a complete sump (one top and universal base), or the tops and universal base can be ordered as individual components

Stabilizer Bar Part Numbers

Part #	Description
SBK-1800	Stabilizer bar kit for Gilbarco Encore
SBK-1500	Stabilizer bar kit for Wayne Ovation
SBK-1700	Stabilizer bar kit for Wayne Helix