

# Fiberglass Dispenser Sump Frame Installation Instruction

**IMPORTANT:** Please read all warnings and follow the installation instructions completely and carefully. Failure to do so will void all warranties and may cause product failure, or result in environmental contamination due to liquid leakage into the soil, creating hazardous spill conditions

**WARNING - DANGER:** Using electrically operated equipment near gasoline or gasoline vapors may result in fire or explosion, causing personal injury and property damage. Be sure that the working area is free from such hazards, and always use proper precautions.

## Fiberglass Dispenser Sump Frame Installation

### Step #1

1. Inspect the sump for any visible defects before installation.
2. Determine if the sump needs to be cut and where the cut will be made. Add 1 or 2 inches to allow for the specified rain lip.

**Note:** The maximum cut that can be made to the sump is 12 inches (See Figure 2).

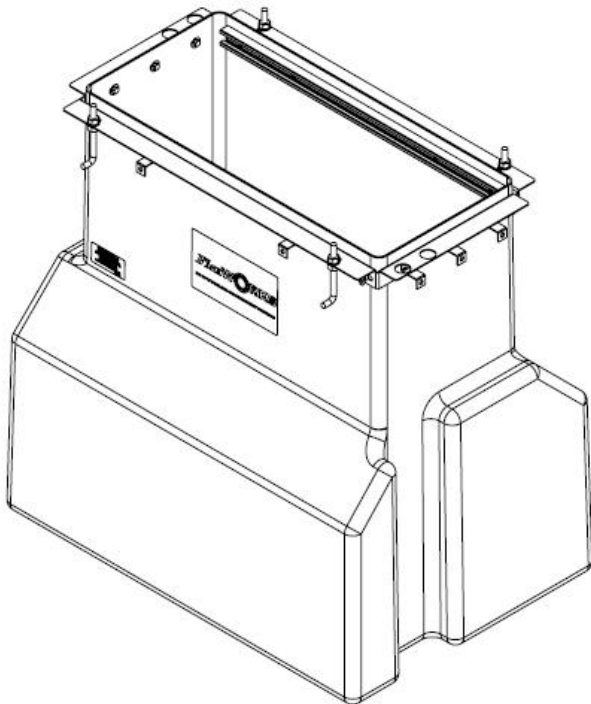


Figure 1

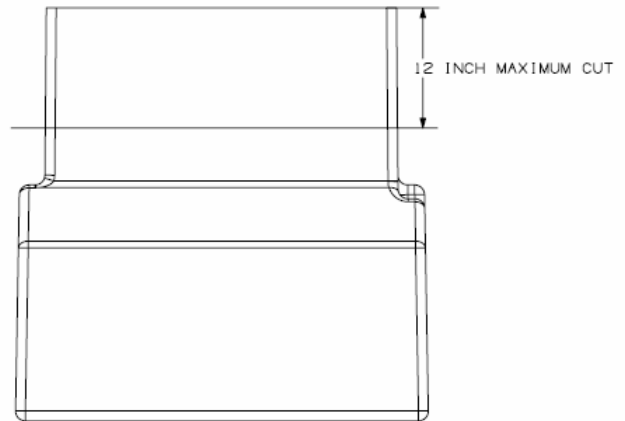


Figure 2

### Step #2

1. After marking the sump, cut to desired length, within specified cut length.
2. Mark the sump with a reference line to clamp the frame evenly to the sump. (See Figure 3)

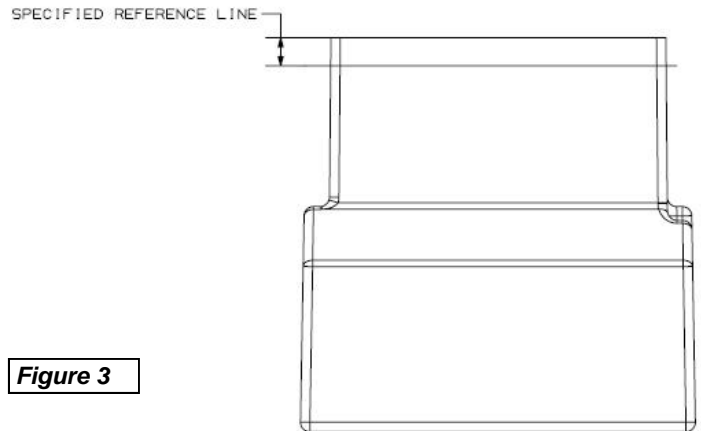


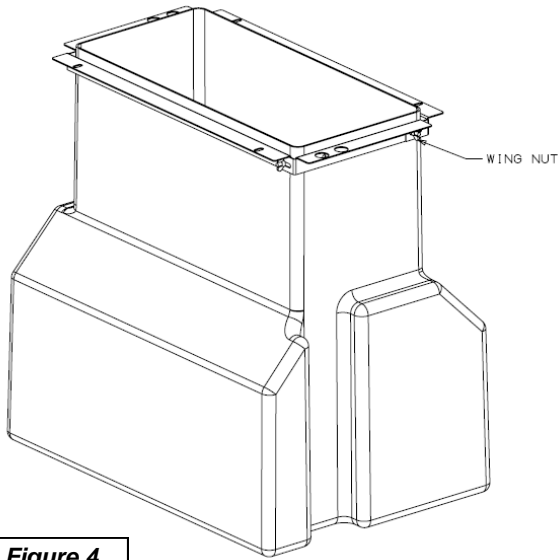
Figure 3

### Step #3

1. Slide the frame up the neck of the sump to the desired reference line. Then secure and tighten the frame onto the sump.

**Note:** A clamp may be needed to hold the frame to the sump securely while drilling the holes. (See Figure 4)

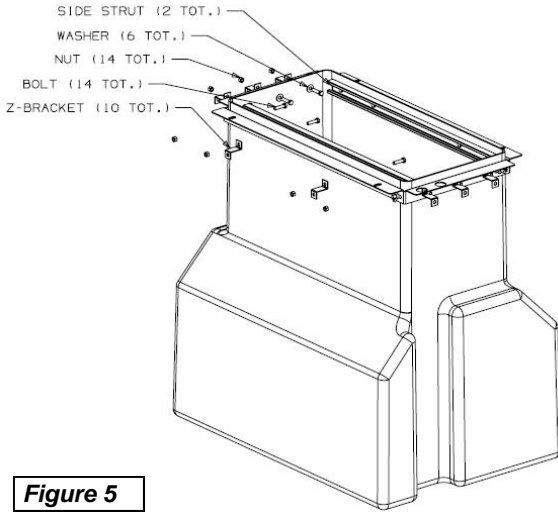
2. Drill 13/32" clearance hole through each location in the frame.



**Figure 4**

**Step #4**

1. Place bolts thru side strut along with anchors and bolts then tighten until frame is secure.
2. **Figure 5** shows how the sump should look with all of the hardware in the sump.



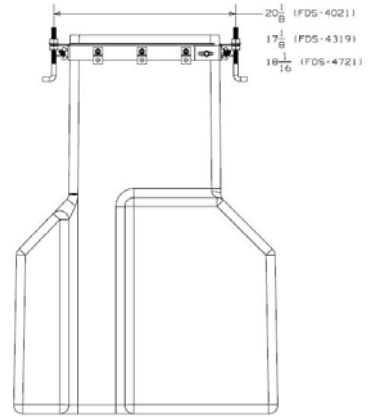
**Figure 5**

**Step #5**

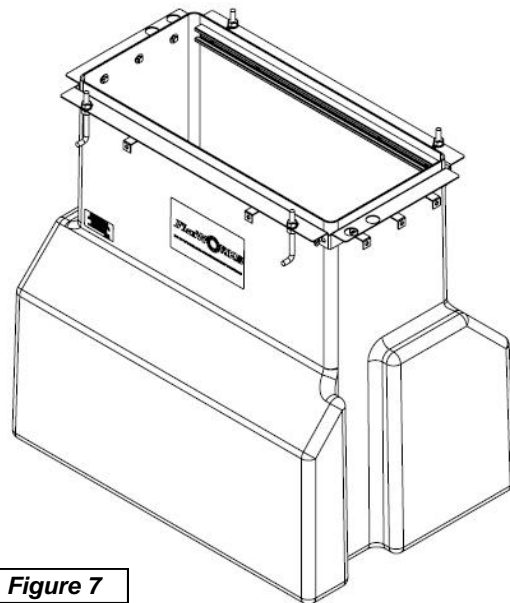
1. **Figure 6** illustrates anchor bolt dimensions for each dispenser sump. The dimensions of the anchor bolts are critical in mating the sump to the dispenser. The anchor bolts may be adjusted depending on the location of the frame.



**Figure 6**



2. **Figure 7** illustrates properly installed frame components.



**Figure 7**

**IMPORTANT INFORMATION - FOLLOW ALL INSTRUCTIONS**

Please contact your OPW-FCS sales representative or OPW-FCS customer service representative at 1-800-422-2525 for OPW-FCS products installation procedures. All OPW-FCS literature including installation instruction sheets and manuals can be accessed from the OPW-FCS website at: [www.opwglobal.com](http://www.opwglobal.com). The use of non-qualified personnel or any deviations from these recommended procedures could result in damage or leakage of the system.