



# OPW Installation and Maintenance Instructions

## OPW 61FT Drop Tube

**IMPORTANT:** Please read these warnings and use the assembly instructions completely and carefully before starting. Failure to do so may cause product failure, or result in environmental contamination due to liquid leakage into the soil, creating hazardous spill conditions.

**IMPORTANT:** The OPW 61FT Drop Tube is pre-assembled for your convenience and ease of use. Check to make sure the unit is intact and undamaged and all parts have been supplied. Never substitute parts for those supplied. Doing so may cause product failure.

**WARNING-DANGER:** Using electrically operated equipment near gasoline or gasoline vapors may result in a fire or explosion, causing personal injury and property damage. Be sure that the working area is free from such hazards, and always use proper precautions.

**NOTE:** At all times when product is in the storage tank keep the riser pipe capped, so the vapors cannot escape into the environment.

**Notice:** OPW products must be used in compliance with applicable federal, state, and local laws and regulations. Product selection should be based on physical specifications and limitations and compatibility with the environment and material to be handled. All illustrations and specifications in this literature are based on the latest production information available at the time of publication. Prices, materials, and specification are subject to change at any time, and models may be discontinued at any time, in either case, without notice or obligation.

### Standard Product Warranty

OPW warrants that products sold by it are free from defects in materials and workmanship for a period of one year from the date of manufacture by OPW (ECO products two years from date of manufacture.) Proof of purchase may be required. As the exclusive remedy under this limited warranty, OPW, will at its sole discretion, repair, replace, or issue credit for future orders for any product that may prove defective within the one year date of manufacture period (repairs, replacements, or credits may be subject to prorated warranty for remainder of the original warranty period, complete proper warranty claim documentation required.) This warranty shall not apply to any product that has been altered in any way, which has been repaired by any party other than a service representative authorized by OPW, or when failure is due to misuse, or improper installation or maintenance. OPW shall have no liability whatsoever for special, incidental or consequential damages to any party, and shall have no liability for the cost of labor, freight, excavation, clean up, downtime, removal, reinstallation, loss of profit, or any other cost or charges.

For any product certified to California 2001 standards, OPW warrants that product sold by it are free from defects in material and workmanship for a period of one year from date of manufacture or one year from date of registration of installation not to exceed 15 months from date of manufacture by OPW.

THIS WARRANTY IS IN LIEU OF ALL OTHER

WARRANTIES, EXPRESS OR IMPLIED, AND SPECIFICALLY THE WARRANTIES OF MERCHANTABILITY AND FITNESS FOR A PARTICULAR PURPOSE. THERE ARE NO WARRANTIES, WHICH EXTEND BEYOND THE DESCRIPTION ON THE FACE HEREOF.

### 61FT Drop Tubes

The OPW 61FT Drop Tube attached to the 61fSTOP Overfill Prevention Valves' lower pipe nipple in order to permit efficient fuel delivery. Less vapor is generated during the fuel drop when using the 61FT. The upper end of the drop tube is fitted over the 61fSTOP's lower pipe nipple and attached using a clevis pin.

**NOTE:** The 61FT Drop Tube is not recommended for use in fuels with greater than 15% alcohol content.

### 61FT Drop Tube Installation Instructions

1. Check to see if the lower nipple of the 61fSTOP has the drop tube mounting holes. On some older models it may be necessary to drill these holes into the nipple. If this is the case, see the illustration below for the appropriate size of drop tube for your application. (See Figures 1 & 2)

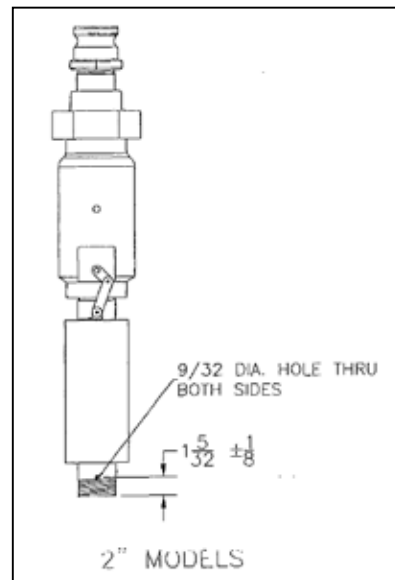


Figure 1: 2" Models