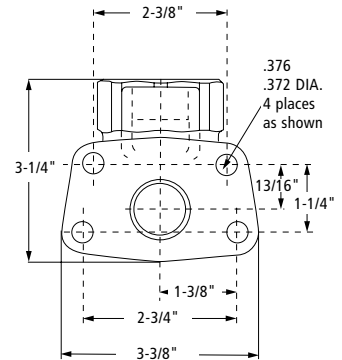


OPW 38CS Balance Adaptor

OPW's 38CS Balance Adaptor line makes conversion from standard to balance easier and more user-friendly.



Ordering Specifications

Product #	Description	Application
38CS-0380	Adapts Conventional Dispensers to Balance Vapor Recovery	Low-Hose Single and Dual Dispensers; External Mount

38CS Series Instruction Sheet Order Number: **H10754PA**

Listings and Certifications

CARB
California Air Resources Board

Materials

Body: Aluminum
Seals: Buna-N
Weight: 0.75 lbs.,
0.34 kg



Materials

Body: Aluminum
Seals: Buna-N
Weight: 0.75 lbs.,
0.34 kg



OPW VAR75 Converter Vac-Assist to 3/4" NPT

Converts vacuum-assist nozzle to a conventional hose or a vacuum-assist dispenser for use with a conventional hose.

Features

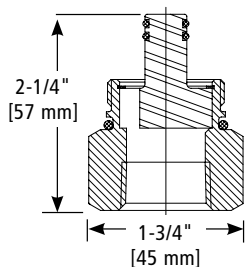
- ◆ Lightweight, maintenance free and easy to install.
- ◆ Adapts M-34 thread to a 3/4" NPT thread.

Design working pressure

- ◆ 50 psi (3.45 bar) maximum pressure.

Ordering Specifications

Part No.	Description
VAR75	Vac-assist to 3/4" NPT Conventional Converter



Features

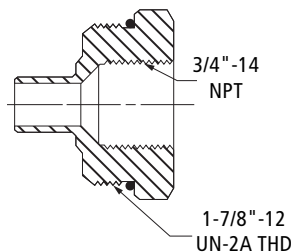
- ◆ Lightweight, maintenance free and easy to install.
- ◆ Adapts 1-7/8 – 12 UN thread to a 3/4" NPT thread

Design working pressure

- ◆ 50 psi (3.45 bar) maximum pressure.

Ordering Specifications

Part No.	Description
28C-0028	Coax Vapor Recovery x 3/4" NPT Bushing



OPW 28C Balance Coax Adaptor

The OPW Balance Adaptor is designed to convert Balance Coax dispensers into a conventional hose point. Simply remove the existing balance hose and thread the 28C into the existing dispenser; then thread in your new Conventional hose.