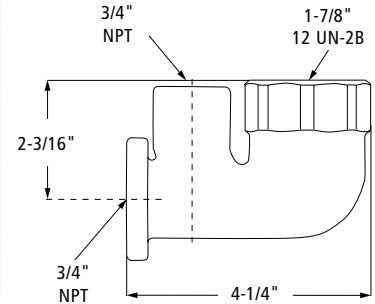
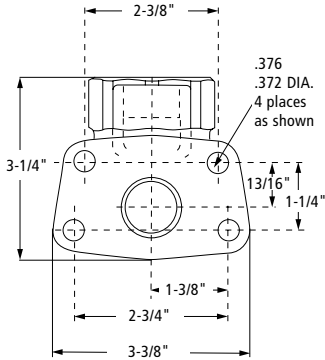


## OPW 38CS Balance Adaptor

OPW's 38CS Balance Adaptor line makes conversion from standard to balance easier and more user-friendly.



### Ordering Specifications

Product #	Description	Application
38CS-0380	Adapts Conventional Dispensers to Balance Vapor Recovery	Low-Hose Single and Dual Dispensers; External Mount

38CS Series Instruction Sheet Order Number: **H10754PA**

### Listings and Certifications

**CARB**

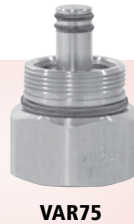
California Air Resources Board

## OPW VAR75 Converter Vac-Assist to 3/4" NPT

Converts vacuum-assist nozzle to a conventional hose or a vacuum-assist dispenser for use with a conventional hose.

### Materials

**Body:** Aluminum  
**Seals:** Buna-N  
**Weight:** 0.75 lbs., 0.34 kg



**VAR75**

### Features

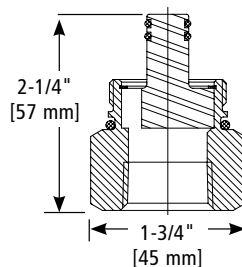
- ◆ Lightweight, maintenance free and easy to install.
- ◆ Adapts M-34 thread to a 3/4" NPT thread.

### Design working pressure

- ◆ 50 psi (3.45 bar) maximum pressure.

### Ordering Specifications

Part No.	Description
VAR75	Vac-assist to 3/4" NPT Conventional Converter



### Materials

**Body:** Aluminum  
**Seals:** Buna-N  
**Weight:** 0.75 lbs., 0.34 kg



**28C**

### Features

- ◆ Lightweight, maintenance free and easy to install.
- ◆ Adapts 1-7/8 – 12 UN thread to a 3/4" NPT thread

### Design working pressure

- ◆ 50 psi (3.45 bar) maximum pressure.

### Ordering Specifications

Part No.	Description
28C-0028	Coax Vapor Recovery x 3/4" NPT Bushing

