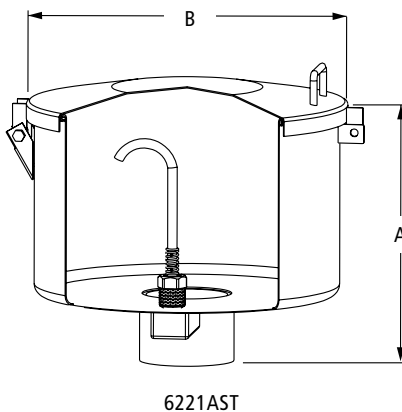
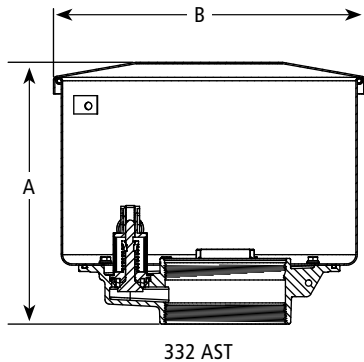


POMECO/OPW 332AST & 6221AST Direct-Fill Above Ground Storage Tank Spill Containers

POMECO/OPW Direct-Fill AST Spill Containers are designed to prevent spilled product from entering soil near the fill and vapor return riser connections on an above ground storage tank during normal tank filling operation. The spill containers catch spillage to help prevent soil contamination and groundwater pollution. POMECO/OPW Direct-Fill AST Spill Containers thread on the top of an above ground tank and allow for drainage of spilled product back into the tank.



Dimensions


Model #	Capacity		A		B	
	gal.	liter	in.	cm	in.	cm
6221	7	26.5	14 1/2	37	17	43
	3.5	13.2	9 1/4	24	17	43
332	7	26.5	14	35	17	43

Features

- ◆ Easy Installation – 4" NPT threaded base screws directly to the tank riser pipe. No further adjustments are needed.
- ◆ Integral Drain Valve – allows high-speed drainage of spilled product back into the tank.
- ◆ Capacity – available in 7-gallon (26.5 liter) container capacity. Larger 7-gallon capacity spill containers provide additional clearance for 61 fSTOP Overfill Prevention Valves (3.5 gallon-221 only).
- ◆ Rain-Shedding Cover Design – hooded cover design helps prevent water or snow entry by extending the lip of the cover over the body of the spill container.
- ◆ Welded-Hinge, Lockable Hatch – the cover includes a provision for a padlock and a welded-hinge assembly for added security.
- ◆ 12 Gauge Epoxy-Powder Coated Construction – heavy-duty materials, compatible with hydrocarbons, for long service life and added security
- ◆ 332AST and 6221AST Spun Steel Design – spun steel construction provides a lightweight, one-piece design for easy installation and a clean, sleek appearance on above ground tanks.



- ◆ 6211AST Heavyweight, Welded Base Design - Thick, welded stainless steel base and walls provide solid strength for heavy-duty applications.
- ◆ All Models Are ULC Listed – clearly labeled to identify the listing.
- ◆ CARB EVR Certified

 Model 06221 Series only.

332AST Spill Containers
Instruction Sheet Order Number: 203168

6211-AST Spill Containers
Instruction Sheet Order Number: 202207

Ordering Specifications:

CARB APPROVED AST EQUIPMENT

Product #	Description	Liters	lbs.	kg
332-ASTW74	7 gallon, 4.0" NPT EVR Approved	26.4 liter, 4.0" NPT	38	17.23
6221-ASTW32	3.5 gallon, 2.0" NPT White	13.2 liter, 4.0" NPT	18	8.16
6221-ASTW34	3.5 gallon, 4.0" NPT White	13.2 liter, 4.0" NPT	19	8.61
6221-ASTW72	7 gallon, 2.0" NPT White	26.4 liter, 2.0" NPT	20	9.07
6221-ASTW74	7 gallon, 4.0" NPT White	26.4 liter, 4.0" NPT	25	11.33
6211SS-AST74	7 gallon, AST Stainless Steel Spill Container	26.4 liter, 4.0" NPT	25	11.33

Listings and Certifications

**CARB Certified
AST Phase I Enhanced Vapor Recovery (EVR) System**