



OPW Installation and Maintenance Instructions

OPW 61SALP EVR (Low Profile) Rotatable Product Adaptors

IMPORTANT: Please read these warnings and use the assembly instructions completely and carefully before starting. Failure to do so may cause product failure, or result in environmental contamination due to liquid leakage into the soil, creating hazardous spill conditions.

IMPORTANT: Check to make sure the unit is intact and undamaged and all parts have been supplied. Never substitute parts for those supplied. Doing so may cause product failure.

WARNING-DANGER: Using electrically operated equipment near gasoline or gasoline vapors may result in a fire or explosion, causing personal injury and property damage. Be sure that the working area is free from such hazards, and always use proper precautions.

NOTE: At all times when product is in the storage tank keep the riser pipe capped, so the vapors cannot escape into the environment.

Notice: OPW products must be used in compliance with applicable federal, state, and local laws and regulations. Product selection should be based on physical specifications and limitations and compatibility with the environment and material to be handled. All illustrations and specifications in this literature are based on the latest production information available at the time of publication. Prices, materials, and specification are subject to change at any time, and models may be discontinued at any time, in either case, without notice or obligation.

Standard Product Warranty

OPW warrants that products sold by it are free from defects in materials and workmanship for a period of one year from the date of manufacture by OPW (ECO products two years from date of manufacture.) Proof of purchase may be required. As the exclusive remedy under this limited warranty, OPW, will at its sole discretion, repair, replace, or issue credit for future orders for any product that may prove defective within the one year date of manufacture period (repairs, replacements, or credits may be subject to prorated warranty for remainder of the original warranty period, complete proper warranty claim documentation required.) This warranty shall not apply to any product that has been altered in any way, which has been repaired by any party other than a service representative authorized by OPW, or when failure is due to

misuse, or improper installation or maintenance. OPW shall have no liability whatsoever for special, incidental or consequential damages to any party, and shall have no liability for the cost of labor, freight, excavation, clean up, downtime, removal, reinstallation, loss of profit, or any other cost or charges.

For any product certified to California 2001 standards, OPW warrants that product sold by it are free from defects in material and workmanship for a period of one year from date of manufacture or one year from date of registration of installation not to exceed 15 months from date of manufacture by OPW.

THIS WARRANTY IS IN LIEU OF ALL OTHER WARRANTIES, EXPRESS OR IMPLIED, AND SPECIFICALLY THE WARRANTIES OF MERCHANTABILITY AND FITNESS FOR A PARTICULAR PURPOSE. THERE ARE NO WARRANTIES, WHICH EXTEND BEYOND THE DESCRIPTION ON THE FACE HEREOF.

61SALP Performance Specifications:

This Rotatable Adaptor has been manufactured and tested to the following California Specifications: Rotatable 360°, Static Torque maximum 108 inch-lbs.

Preventative Maintenance:

Annually, inspect the adaptor for large dents, cracks or deformation. Replace if necessary. The rotation mechanism is not field serviceable.

Replacement Parts:

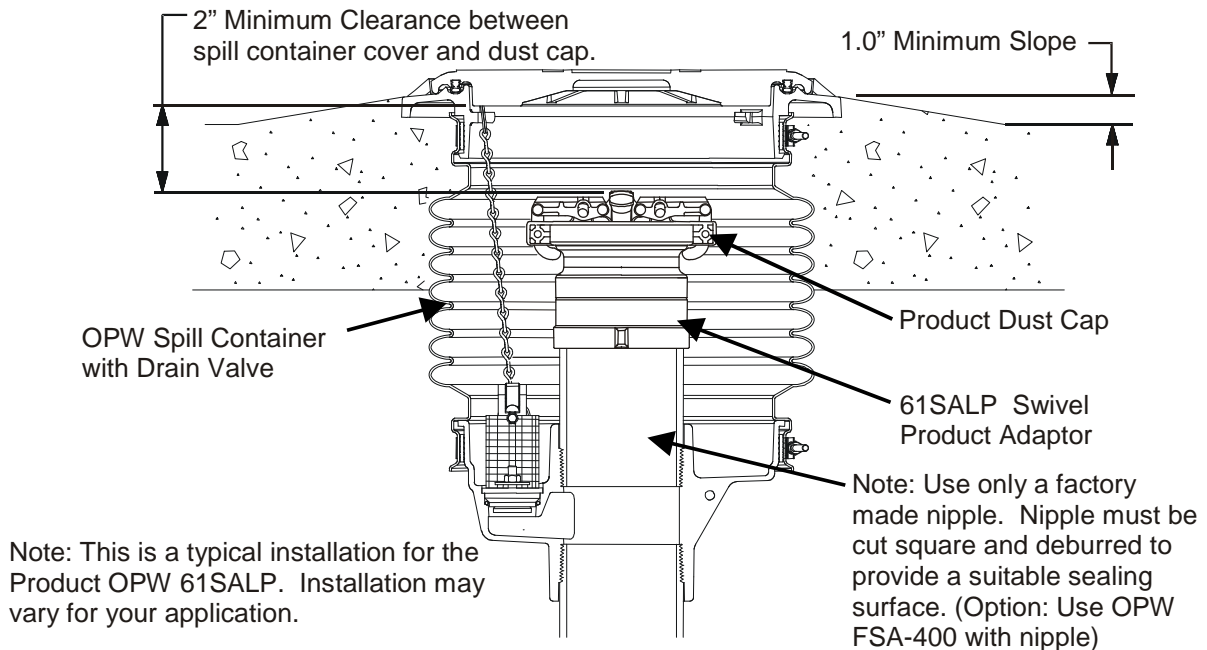
Nipple sealing gasket OPW P/N: H09039M.

Torque Specification:

Adapter, 4" NPSM, 90 ft-lbs minimum to 110 ft-lbs maximum.

<p>Important: Leave these Installation Instructions with the Station Operator.</p>

61SALP EVR Rotatable Product Adaptor INSTALLATION INSTRUCTIONS



Step 1

The riser nipple in the spill container must be cut square and deburred. See drawing note for the correct distance between the top of the nipple and finished grade. (Optional: Use a OPW FSA-400 Face Seal Adaptor with nipple. Add 3-1/4" to distance from top of nipple to finish grade).

Step 2 (Optional)

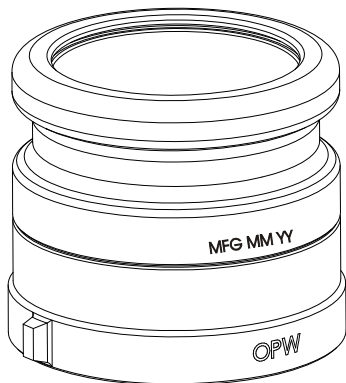
Apply pipe dope to the nipple. Pipe dope to be non-hardening, gasoline resistant pipe thread seal compound.

Step 3

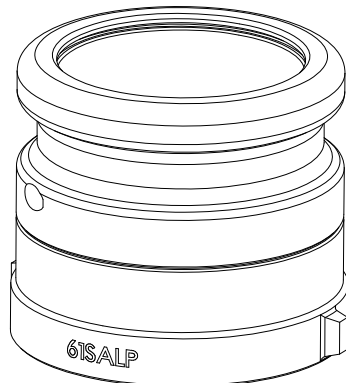
Tighten the Rotatable Adaptor onto the nipple with a torque of 90 ft-lbs min. to 110 ft-lbs max this will be enough torque to seat and seal the gasket. Use an OPW 61SA-TOOL to install rotatable adaptor.

Static Torque Test

- Using OPW 200459 Swivel Adaptor Torque Tool and OPW 634TT Product Cap, annually verify the static torque of the swivel adaptor by performing California ARB test procedure TP-201.1B.



Manufacture "OPW"
Date Manufactured: "MFG MMYY"
MM= Month, YY=Year



Product ID: "61SALP"



1-800-422-2525 Domestically
513-870-3315 Internationally
www.opw-fc.com

Copyright, 2009 - OPW Fueling Components Inc.,
Hamilton, OH
Printed in U.S.A. p/n H12712PA rev.C- 2/09



OPW Installation and Maintenance Instructions

OPW 61VSA EVR Poppeted Rotatable Vapor Recovery Adaptor

IMPORTANT: Please read these warnings and use the assembly instructions completely and carefully before starting. Failure to do so may cause product failure, or result in environmental contamination due to liquid leakage into the soil, creating hazardous spill conditions.

IMPORTANT: Check to make sure the unit is intact and undamaged and all parts have been supplied. Never substitute parts for those supplied. Doing so may cause product failure.

WARNING-DANGER: Using electrically operated equipment near gasoline or gasoline vapors may result in a fire or explosion, causing personal injury and property damage. Be sure that the working area is free from such hazards, and always use proper precautions.

NOTE: At all times when product is in the storage tank keep the riser pipe capped, so the vapors cannot escape into the environment.

Notice: OPW products must be used in compliance with applicable federal, state, and local laws and regulations. Product selection should be based on physical specifications and limitations and compatibility with the environment and material to be handled. All illustrations and specifications in this literature are based on the latest production information available at the time of publication. Prices, materials, and specification are subject to change at any time, and models may be discontinued at any time, in either case, without notice or obligation.

Standard Product Warranty

OPW warrants that products sold by it are free from defects in materials and workmanship for a period of one year from the date of manufacture by OPW (ECO products two years from date of manufacture.) Proof of purchase may be required. As the exclusive remedy under this limited warranty, OPW, will at its sole discretion, repair, replace, or issue credit for future orders for any product that may prove defective within the one year date of manufacture period (repairs, replacements, or credits may be subject to prorated warranty for remainder of the original warranty period, complete proper warranty claim documentation required.) This warranty shall not apply to any product that has been altered in any way, which has been repaired by any party other than a service representative authorized by OPW, or when failure is due to misuse, or improper installation or maintenance. OPW shall have no liability whatsoever for special, incidental or consequential damages to any party, and shall have no liability for the cost of labor, freight, excavation, clean up, downtime, removal, reinstallation, loss of profit, or any other cost or charges.

For any product certified to California 2001 standards, OPW warrants that product sold by it are free from defects in material and workmanship for a period of one year from

date of manufacture or one year from date of registration of installation not to exceed 15 months from date of manufacture by OPW.

THIS WARRANTY IS IN LIEU OF ALL OTHER WARRANTIES, EXPRESS OR IMPLIED, AND SPECIFICALLY THE WARRANTIES OF MERCHANTABILITY AND FITNESS FOR A PARTICULAR PURPOSE. THERE ARE NO WARRANTIES, WHICH EXTEND BEYOND THE DESCRIPTION ON THE FACE HEREOF.

61VSA Performance Specifications:

This Rotatable Adaptor has been manufactured and tested to the following California specifications: Rotatable 360°, Static torque of 108 inch-lbs.

Preventative Maintenance:

Annually, inspect the adaptor for large dents, cracks or deformation. Replace if necessary. The rotation mechanism is not field serviceable.

Check the vapor poppet for damage and ensure that the poppet seats evenly with the adaptor. Clean out any foreign objects from the vapor poppet's seal and seal surface if necessary. Test the poppet seal by applying a soap solution to the poppet while the underground storage tank is under a positive gauge pressure of at least 2.00 inches W.C and inspect for the presence of bubbles. If the facility continuously operates under vacuum, a bag test may be used by sealing a clear plastic bag to the adaptor's sides. If no bubbles appear at the poppet under positive pressure or the bag test shows no signs of the bag collapsing, no further maintenance is required. If bubbles appeared around the poppet seal or the bag collapsed, replace the poppet components and re-test

Replacement Parts:

Nipple sealing gasket OPW P/N: H09039M.
Vapor Poppet Kit OPW P/N: 61VSA-Kit

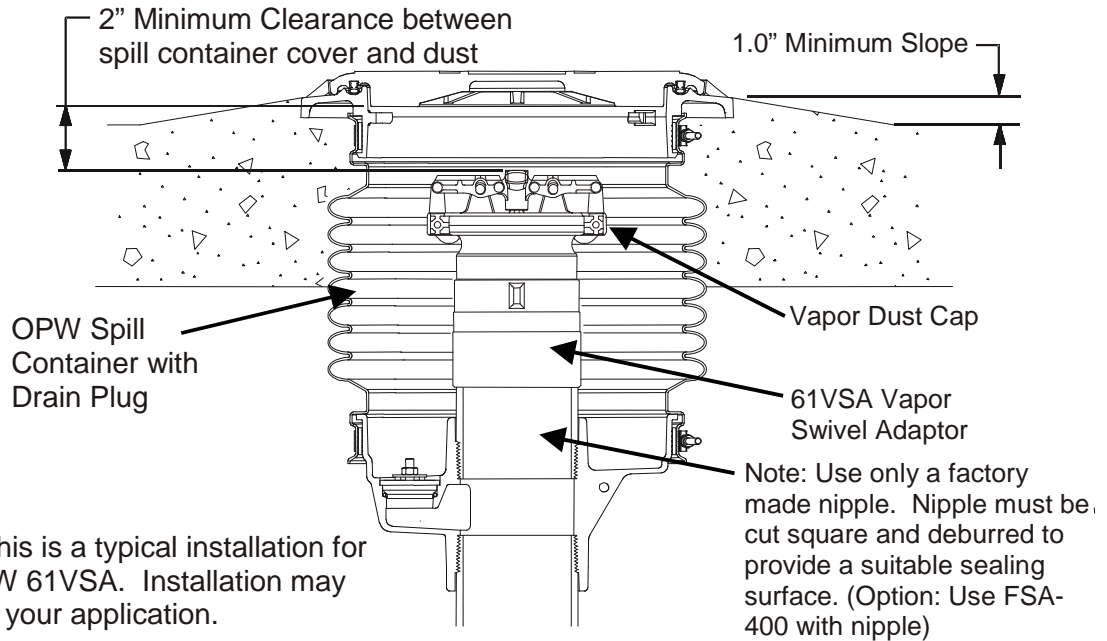
Torque Specification:

Adaptor, 4" NPSM, 90 ft-lbs minimum to 110 ft-lbs maximum.

Patent # 5,664,951

Important: Leave these Installation Instructions with the Station Operator.

OPW 61VSA EVR Series Poppeted Rotatable Vapor Adaptor INSTALLATION INSTRUCTIONS



Step 1

The riser nipple in the spill container must be cut square and deburred. See drawing note for the correct distance between the top of the nipple and finished grade. (Optional: Use an OPW FSA-400 Face Seal Adaptor with nipple. Add 3-1/4" to distance from top of nipple to finish grade).

Step 2 (Optional)

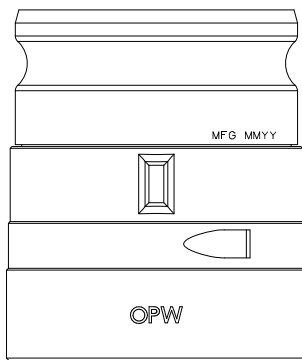
Apply pipe dope to the nipple. Pipe dope to be non-hardening, gasoline resistant pipe thread seal compound.

Step 3

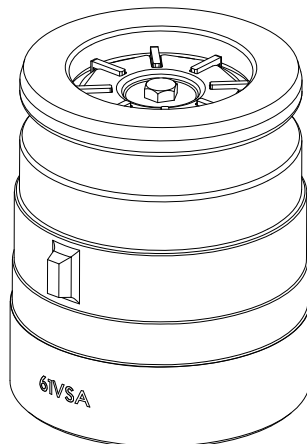
Tighten the Rotatable Adaptor onto the nipple with a torque of 90 ft-lbs min. to 110 ft-lbs max, this will be enough torque to seat and seal the gasket. Use a 61SA-TOOL to install rotatable adaptor.

Static Torque Test

- Using OPW 200459 Swivel Adaptor Torque Tool and OPW 1711T Vapor Cap, annually verify the static torque of the swivel adaptor by performing California ARB test procedure TP-201.1B.



Manufacture: "OPW"
Date Manufactured: "MFG MMY"
MM= Month, YY=Year



Product ID: "61VSA"



1-800-422-2525 Domestically
513-870-3315 Internationally
www.opw-fc.com

Copyright, 2009- OPW Fueling Components Inc.,
Hamilton, OH
Printed in U.S.A. p/n H14656PA-Rev.C 2/09