



# OPW Installation and Maintenance Instructions

## OPW 61fSTOP-XXXXT Series Above Ground Storage Tank Overfill Prevention Valve

**IMPORTANT:** Please read these warnings and use the assembly instructions completely and carefully before starting. Failure to do so may cause product failure, or result in environmental contamination due to liquid leakage into the soil, creating hazardous spill conditions.

**IMPORTANT:** The OPW 61fSTOP-\*T Overfill Prevention Valve is pre-assembled for your convenience and ease of installation. Check to make sure the unit is intact and undamaged and all parts have been supplied. Never substitute parts for those supplied. Doing so may cause product failure.

**WARNING-DANGER:** Using electrically operated equipment near gasoline or gasoline vapors may result in a fire or explosion, causing personal injury and property damage. Be sure that the working area is free from such hazards, and always use proper precautions.  
**NOTE:** At all times when product is in the storage tank keep the riser pipe capped, so the vapors cannot escape into the environment.

**Notice:** OPW products must be used in compliance with applicable federal, state, and local laws and regulations. Product selection should be based on physical specifications and limitations and compatibility with the environment and material to be handled. All illustrations and specifications in this literature are based on the latest production information available at the time of publication. Prices, materials, and specification are subject to change at any time, and models may be discontinued at any time, in either case, without notice or obligation.

### Standard Product Warranty

OPW warrants that products sold by it are free from defects in materials and workmanship for a period of one year from the date of manufacture by OPW (ECO products two years from date of manufacture.) Proof of purchase may be required. As the exclusive remedy under this limited warranty, OPW, will at its sole discretion, repair, replace, or issue credit for future orders for any product that may prove defective within the one year date of manufacture period (repairs, replacements, or credits may be subject to prorated warranty for remainder of the original warranty period, complete proper warranty claim documentation required.) This warranty shall not apply to any product that has been altered in any way, which has been repaired by any party other than a service representative authorized by OPW, or when failure is due to misuse, or improper installation or maintenance. OPW shall have no liability whatsoever for special, incidental or consequential damages to any party, and shall have no liability for the cost of labor, freight, excavation, clean up, downtime, removal, reinstallation, loss of profit, or any other cost or charges.

For any product certified to California 2001 standards, OPW warrants that product sold by it are free from defects in material and workmanship for a period of one year from date of manufacture or one year from date of registration of installation not to exceed 15 months from date of manufacture by OPW.

THIS WARRANTY IS IN LIEU OF ALL OTHER WARRANTIES, EXPRESS OR IMPLIED, AND SPECIFICALLY THE WARRANTIES OF MERCHANTABILITY AND FITNESS FOR A PARTICULAR PURPOSE. THERE ARE NO WARRANTIES, WHICH EXTEND BEYOND THE DESCRIPTION ON THE FACE HEREOF.

### PRODUCT SPECIFICATIONS

**Pressure Rating:** 150PSI\*

\*OPW Does not recommend pumping pressures above 100PSI for Class 1B Fuels.

**Flow Rate:**

1000T and 2000T: 20GPM min to 150GPM max  
 3050T: 30GPM min to 400GPM max

### DIRECT FILL INSTALLATION INSTRUCTIONS:

**Step 1:**

331/332 Spill Container should be installed according to OPW Installation Instructions (P/N 203168) prior to proceeding.

**Step 2:**

Determine the necessary length (C) for the 2" (3" for 61fSTOP-3050T) nipple. The length can be found by first using the appropriate tank chart to find 10% of total tank capacity (A) and then measuring the length from the inside top of the tank to the top of the nipple in the spill container (B). The following equations will give the length necessary for the nipple for each type of overfill prevention valve. (See Figure 1 or 2)

61fSTOP	Equation
61fSTOP-1000T	$C=A+B-13''$
61fSTOP-2000T	$C=A+B-11''$
61fSTOP-3050T	$C=A+B-13''$

**NOTE:** Dimension A must be a minimum of 4" for 61fSTOP-2000T or 7" for the 61fSTOP-1000T or 61fSTOP-3050T. The float must have ample clearance to prevent striking against foreign objects or structures. If the float is obstructed the valve will not close resulting in a hazardous condition.

**Step 3:**

Cut and thread the 2" or 3" nipple to the length found in Step 2.

**Step 4:**

Apply pipe dope to one end of the 2" or 3" nipple and thread into the inlet of the valve. Pipe dope is to be a non-hardening, gasoline resistant pipe thread seal compound.

**Step 5:**

Apply pipe dope to the other end of the nipple and thread on Kamvalok. Pipe dope is to be a non-hardening, gasoline resistant pipe thread seal compound.

**Step 6:**

Set the assembly upright, lift and release the float to verify that the valve moves freely.

**Step 7:**

Apply pipe dope to the 4" (6" for 61fSTOP-3050T) threads on the nipple in the spill container and insert the assembly into the tank. Pipe dope is to be a non-hardening, gasoline resistant pipe thread seal compound. Thread the Kamvalok and valve assembly onto the riser pipe.

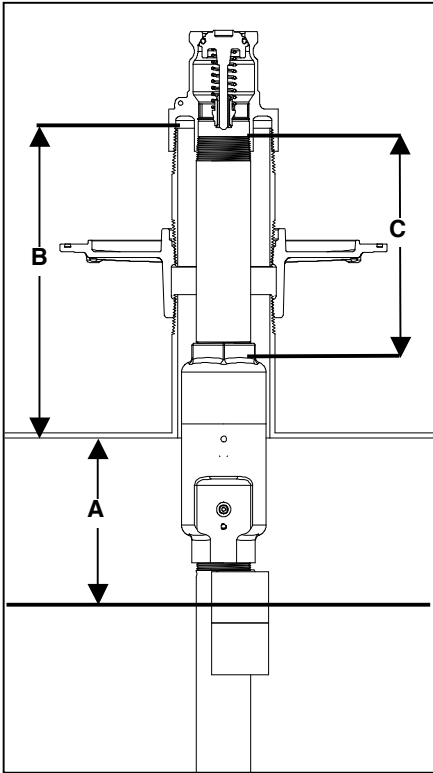


Figure 1: 61fSTOP-2000T

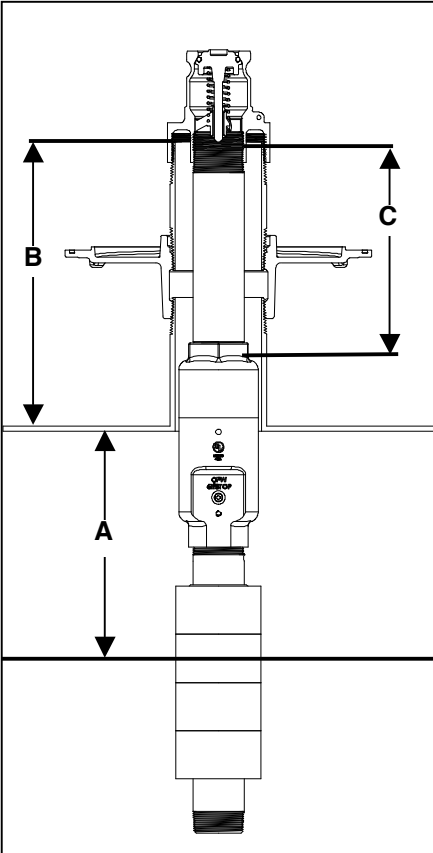
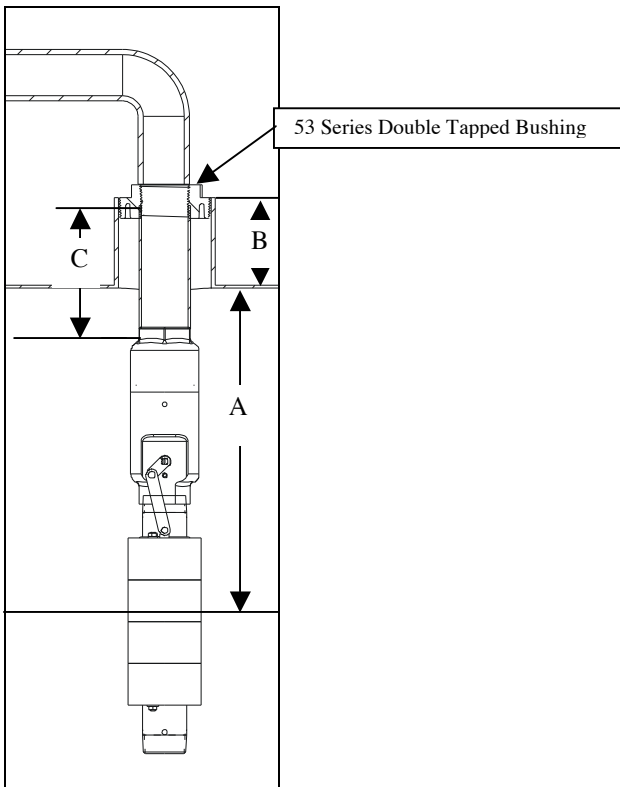


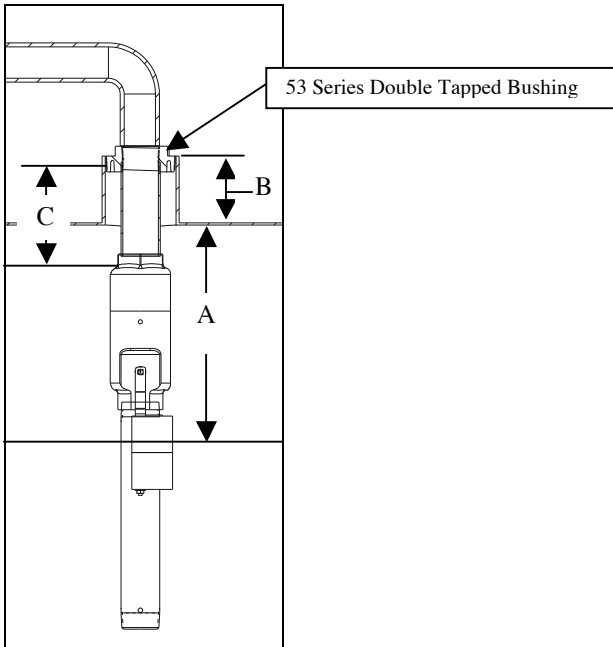
Figure 2: 61fSTOP-1000T/3050T

HORIZONTAL TANK		
DIAMETER (in.)	90% (in)	95% (in)
30	25.3	27.1
34	28.7	30.7
38	32.1	34.3
42	35.4	37.9
46	38.8	41.5
50	42.2	45.2
54	45.6	48.8
58	48.9	52.4
62	52.3	56
66	55.7	59.6
70	59	63.2
74	62.4	66.8
78	65.8	70.4
82	69.2	74
86	72.5	77.7
90	75.9	81.3
94	79.3	84.9
98	82.7	88.5
102	86	92.1
106	89.4	95.7
110	92.8	99.3
114	96.2	102.9
118	99.5	106.6
122	102.9	110.2
126	106.3	113.8
130	109.7	117.4
134	113	121
138	116.4	124.6
142	119.8	128.2
146	123.2	131.8
150	126.5	135.5
154	129.9	139.1
158	133.3	142.7
162	136.7	146.3
166	140.1	149.9
170	143.5	153.5
174	146.9	157.1
178	150.3	160.7
182	153.7	164.3
186	157.1	167.9
190	160.5	171.5
194	163.9	175.1
198	167.3	178.7
202	170.7	182.3
206	174.1	185.9
210	177.5	189.5
214	180.9	193.1
218	184.3	196.7

PRODUCT LEVEL AT:



**Figure 3: 61fSTOP-1000T/3050T  
Remote fill**



**Figure 4: 61fSTOP-2000T  
Remote Fill**

**Step 1:**

Determine the necessary length (C) for the 2" (3" for 61fSTOP-3050T) nipple. The length can be found by first using the appropriate tank chart to find 10% of total tank capacity (A) and then measuring the length from the inside top of the tank to the top of the tank riser(B). The following equations will give the length necessary for the nipple for each type of overfill prevention valve. (See Figure 3 or 4)

61fSTOP	Equation
61fSTOP-1000T	$C=A+B-13''$
61fSTOP-2000T	$C=A+B-11''$
61fSTOP-3050T	$C=A+B-13''$

**NOTE:** Dimension A must be a minimum of 4" for 61fSTOP-2000T or 7" for the 61fSTOP-1000T or 61fSTOP-3050T. The float must have ample clearance to prevent striking against foreign objects or structures. If the float is obstructed the valve will not close resulting in a hazardous condition.

**Step 2:**

Cut and thread the 2" or 3" nipple to the length found in Step 1.

**Step 3:**

Apply pipe dope to one end of the nipple and thread into the top of the 61fSTOP. Pipe dope is to be a non-hardening, gasoline resistant pipe thread seal compound.

**Step 4:**

Apply pipe dope to the other end of the nipple and thread into the 53 Double Tapped Bushing. Pipe dope is to be a non-hardening, gasoline resistant pipe thread seal compound.

**Step 5:**

Set the assembly upright, lift and release the float to verify that the valve moves freely.

**Step 6:**

Apply pipe dope to the Double Tapped bushing and thread the assembly onto the tank. Pipe dope is to be a non-hardening, gasoline resistant pipe thread seal compound.



A DOVER COMPANY

9393 Princeton-Glendale Road, Cincinnati, Ohio 45011  
1-800-422-2525 Domestically, 513-870-3315 Internationally

Copyright, 2009 OPW Fueling Components Inc.  
Cincinnati, OH - Printed in U.S.A.

p/n 203163 – 09/08