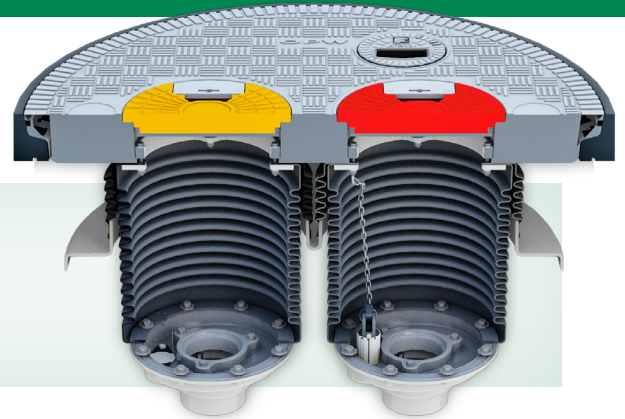
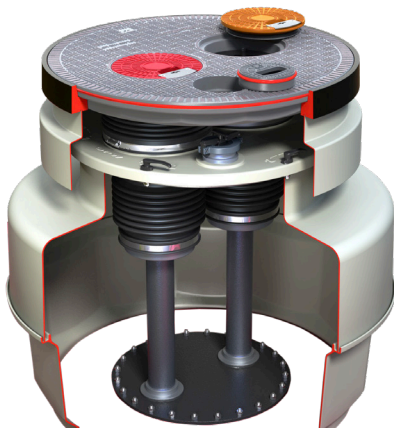


OPW FibreTite Multiport Spill-Containment

OPW "FibreTite" Multiport Spill-Containment Manholes provide spill-containment for underground storage tank (UST) fill pipes and vapor recovery risers.

Multiports are installed over the top of tank sumps to preserve future access to the tank top and to facilitate containment of tank-bung fittings.

OPW "FibreTite" watertight covers are easy to remove. The composite manhole covers are available with center or offset port for access to fill risers.



Materials:

- Cover: Fiberglass
- Frame: Fiberglass
- Skirt: Fiberglass

Features & Benefits:

- ◆ Lightweight - reduce risk of back, foot and hand injuries
- ◆ UV resistant
- ◆ Standard duty (20-ton load rating)
- ◆ No bolts required to seal top cover
- ◆ Anti-slip surface
- ◆ Composite construction; does not corrode
- ◆ Watertight, sealed design
- ◆ Monolithic structure eliminates delaminating
- ◆ Ergonomic, single-person removal and replacement with Fibrelite lifting handle
- ◆ Easy access watertight sump inspection port
- ◆ Replaceable double-wall spill-containment
- ◆ Easy access to overfill-prevention valve








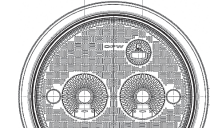

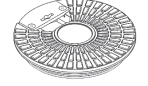

OPW FibreTite Multiport and Sump System Kit

Includes:

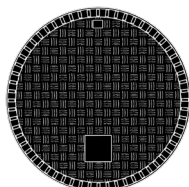
- Multiport Cover
- Spill-Containers
- Clamping Kits
- Top Hat
- Frame
- Port Covers
- Water-Spill Platform
- Sump Base
- Skirt
- Shroud Boot

FibreTite Multiport Spill-Containment Ordering Specifications

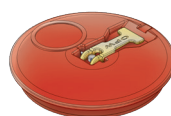
FTSX-XXXX XX - XXXXXX - X (X)

<p>BASE DEPTH</p> <p>M - Medium Bury (54" depth)</p>  <p>D - Deep Bury (64" depth)</p> 	<p>BASE DIAMETER</p> <p>4237 - 42" Base & 37" Opening</p>  <p>4837 - 48" Base & 37" Opening</p> 	<p>BASE MOUNTING</p> <p>CR - Collar Ring</p>  <p>SB - Solid Bottom</p>  <p>RF - Reverse Flange</p> 	<p>COVER CONFIGURATION</p> <p>MP3716S - Multiport @ 16" Centers</p> <p>SB - Solid Bottom</p>  <p>OF378S - Offset @ 8" offset</p> 	<p>PORTCOVER COLOR</p> <p>BL - Black/Orange Cover</p> <p>B - Blue/Orange Cover</p> <p>G - Gray/Orange Cover</p> <p>GR - Green/Orange Cover</p> <p>O - Orange/Orange Cover</p> <p>R - Red/Orange Cover</p> <p>W - White/Orange Cover</p> <p>Y - Yellow/Orange Cover</p> <p>*Note: OF378S cover configuration will NOT include the Orange cover</p>	<p>PORTCOVER OPTION</p> <p>BLANK - FC-11 Cover</p>  <p>SC - Powder-Coated Sealable Cover</p> 
--	---	---	--	--	--

All Fill & Vapor Covers ship with Composite FC-11 Spill Port Covers.*



Add "SC" to the end of the part for Sealable Covers.



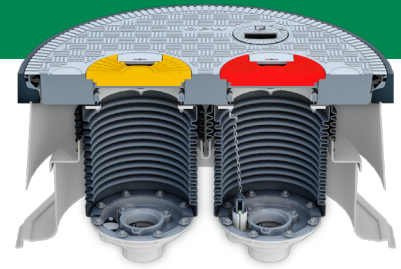
Listings and Certifications



*Does not come with FLMP-IP as pictured. Must order separately.

New Style

OPW FibreTite Multiport Kit to Install on Existing Tank Sump



Includes Spill-Containers

Kit includes; Multiport Cover, Frame, Skirt, Spill-Containers, Port Covers, Shroud Boot, Clamping Kits, Water-Spill Platform and Top Hat

Ordering Specifications

Part Number	Application	WT Cover	Bonded Manhole			
			Round Sump Riser Diameter	Skirt ID	FRP Cover	Fill & Vapor Cover
S42-3100G-MP3716S-W	5 Gallon Regular Gasoline MP System	37" WSP37-16S	42"	40"	Gray	White/Orange
S42-3100G-MP3716S-R	5 Gallon Premium Gasoline MP System	37" WSP37-16S	42"	40"	Gray	Red/Orange
S42-3100G-MP3716S-BU	5 Gallon Mid-Grade Gasoline MP System	37" WSP37-16S	42"	40"	Gray	Blue/Orange
S42-3100G-OF378S-Y	5 Gallon Diesel Offset System	37" WSP37-8S	42"	40"	Gray	Yellow
S48-3100G-MP3716S-W	5 Gallon Regular Gasoline MP System	37" WSP37-16S	48"	40"	Gray	White/Orange
S48-3100G-MP3716S-R	5 Gallon Premium Gasoline MP System	37" WSP37-16S	48"	40"	Gray	Red/Orange
S48-3100G-MP3716S-BU	5 Gallon Mid-Grade Gasoline MP System	37" WSP37-16S	48"	40"	Gray	Blue/Orange
S48-3100G-OF378S-Y	5 Gallon Diesel Offset System	37" WSP37-8S	48"	40"	Gray	Yellow

Replacement for Existing FL100 MP System includes Spill-Containers

Kit includes; Multiport Cover, Spill-Containers, Port Covers, Shroud Boot, Clamping Kits and Water-Spill Platform

Ordering Specifications

Part Number	Application	WT Cover	Bonded Manhole			
			Skirt ID	FRP Cover	Fill & Vapor Cover	
FL100G-RETRO-MP3716S-W	5 Gallon Regular Gasoline MP System	37" WSP37-16S	40"	Gray	White/Orange	
FL100G-RETRO-MP3716S-R	5 Gallon Premium Gasoline MP System	37" WSP37-16S	40"	Gray	Red/Orange	
FL100G-RETRO-MP3716S-BU	5 Gallon Mid-Grade Gasoline MP System	37" WSP37-16S	40"	Gray	Blue/Orange	
FL100G-RETRO-OF378S-Y	5 Gallon Diesel Offset System	37" WSP37-8S	40"	Gray	Yellow	

Multiport Kit Only, No Sump Includes Spill-Containers

Kit includes; Multiport Cover, Frame, Skirt, Spill-Containers, Port Covers, Shroud Boot and Clamping Kits

Ordering Specifications

Part Number	Application	Skirt ID	FRP Cover	Fill & Vapor Cover
FL100GRAY-MP16S-SK12-W	5 Gallon Regular Gasoline MP System	40"	Gray	White/Orange
FL100GRAY-MP16S-SK12-R	5 Gallon Premium Gasoline MP System	40"	Gray	Red/Orange
FL100GRAY-MP16S-SK12-BU	5 Gallon Mid-Grade Gasoline MP System	40"	Gray	Blue/Orange
FL100GRAY-OF8S-SK12-Y	5 Gallon Diesel Offset System	40"	Gray	Yellow



Replacement Parts/Accessories

Part Number	Description
P761C-FLDV	5 Gallon Fill Bucket for Fibrelite MP with Drain-Valve and Cast-Iron Base
P761C-FLPL	5 Gallon Vapor Bucket for Fibrelite MP with Plug and Cast-Iron Base
FC-11-Orange	11" Orange Vapor Cover
FC-11-RED	11" Red Fill Cover
FC-11-WHITE	11" White Fill Cover
FC-11-YELLOW	11" Yellow Fill Cover
FC-11-BLUE	11" Blue Fill Cover
FL100GRAY-MP16S*	FL100 Gray Composite Multiport Cover- 16" Centers
FL100GRAY-OF8S	FL100 Gray Composite Cover Offset Port

Part Number	Description
FLMP-SB	MPS Shroud Boot Kit (Includes WSP-CRKS, Clamp Kit)
FLMP-IP	Inspection Port Kit for Fibrelite Multiport
FC-11-SEAL	Seal for FC-11 Covers
WSP37-8S	37" Multiport Water Shroud for Single Offset Port
WS-RING-37	37" Dia. Stainless-Steel Retaining Ring Kit
S-CR-FGK	FRP Kit for Bonding Collar Ring Sump to FGFR Tank Collar (Includes Resin, Catalyst & Glass Tape)
S-TH-FGK	FRP Kit for Top Hat to Sump (Includes Resin, Catalyst & Glass Tape)
RK-5000	Fiberglass Epoxy Kit (Qt. Size)
211300	Epoxy pack to bond 1TAG to composite cover

* Does not come with FLMP-IP as pictured. Must order separately.

See 1TAG section for I.D. markers for new multiport

