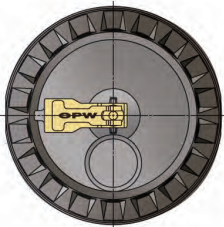


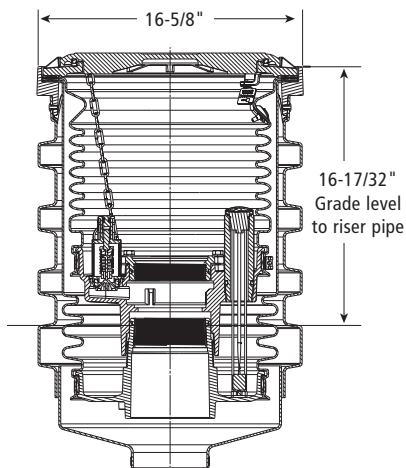
OPW EDGE™ Double-Wall Spill-Containers

Designed in collaboration with contractors and end-users, the OPW EDGE™ Double-Wall Spill-Container installs in the same space as single-wall buckets. The EDGE™ delivers best-in-class features that significantly improve reliability, installation, testing and ease of serviceability. The EDGE™ exceeds the performance levels of all other double-wall spill-containers.

- ◆ Fully Testable
- ◆ Unbeatable installation ease
- ◆ Uses existing riser pipe
- ◆ Unparalleled serviceability
- ◆ Superior quality
- ◆ Significantly reduces installation time and labor costs



Sealable Cover Option Available



Weight: 120 lbs. (54.5 kg.)

Materials

- Cover:** Cast iron
- Mounting Ring:** Duragard®-coated ductile iron
- Bellows:** Polyethylene
- Base:** Cast iron E-coating
- Clamps:** Stainless-steel
- Seals:** Buna-N

Features

- ◆ **Top-Mounted Vacuum Test Port**
 - For quick and easy access
- ◆ **Superior Visual Gauge**
 - No messy dipsticks to contend with
 - Significantly simplifies and reduces testing time
- ◆ **Ease of Access to the Electronic Sensor for Testing**
 - Easy access for testing
 - Located to eliminate damage potential during product drops
- ◆ **Roto-Molded Primary & Secondary Buckets**
 - Thicker walls for greater durability and reliability
- ◆ **Ribbed Polyethylene Skirt Design**
 - Roto-molded for long-life durability
 - Provides rigidity for added durability
 - Provides handles on all sides for ease of installation
- ◆ **Patent-Pending Socket Design**
 - Enables the EDGE™ to install into the space of a single-wall spill-container
 - Helps to align bucket on riser
- ◆ **Patent-Pending Ledge Design**
 - Provides machined sealing face for drop tube
 - Improves overall drop tube sealing integrity
 - Eliminates face seal adaptors or de-burring of the riser pipe to obtain a flat surface for the drop tube
- ◆ **Patent-Pending Removable Adaptor**
 - Allows for quick and easy access to drop tube
 - Eliminates the need for cumbersome chain wrenches
- ◆ **Bellow Seals**
 - Improves overall sealing integrity
 - Eliminates mess and curing time found in sealants
 - Reduces service time and costs
- ◆ **SC Test**
 - Vacuum Testing Lid for Edge, 2200, 21000 and Multiports



Listings and Certifications



Ordering Specifications

The Edge™ Double-Wall Models - Fill Ports with Drain-Valves

Part #	Gal.	liter	Cover	Gauge/Sensor	lbs.	kg.
1C-3112D	5	19	Cast-Iron	Float Gauge	127	58
1C-3122D	5	19	Cast-Iron	Port Only (sensor not included)	127	58
1C-3132D	5	19	Cast-Iron	Electronic Sensor; 2 Stage, Normally Closed	127	58
1C-31512D	15	57	Cast-Iron	Float Gauge	185	84
1C-31532D	15	57	Cast-Iron	Electronic Sensor; 2 Stage, Normally Closed	185	84
1SC-3112D	5	19	Sealable	Float Gauge	127	58
1SC-3122D	5	19	Sealable	Port Only (sensor not included)	127	58
1SC-3132D	5	19	Sealable	Electronic Sensor; 2 Stage, Normally Closed	127	58
1SC-31512D	15	57	Sealable	Float Gauge	185	84
1SC-31532D	15	57	Sealable	Electronic Sensor; 2 Stage, Normally Closed	185	84

Installation Tools & Testing Equipment

1-3100-TOOL	Installation Tool for the EDGE™ DW Spill-Container
DW-VAC-TEST	Double-Wall Vacuum Tester
SC-VAC-TEST	Vacuum Testing Lid for OPW Spil Buckets

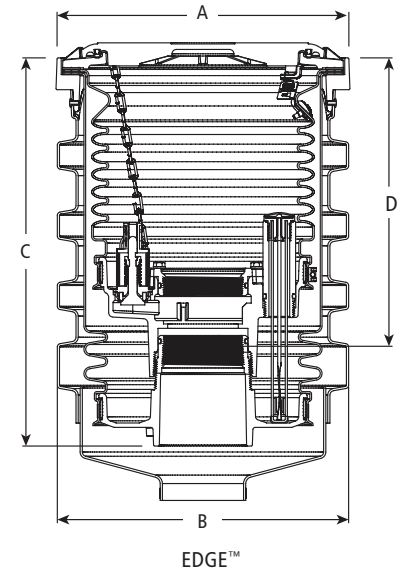
The Edge™ Double-Wall Models - Vapor Ports with Plug

Part #	Gal.	liter	Cover	Gauge	lbs.	kg.
1C-3112P	5	19	Cast-Iron	Float Gauge	127	58
1C-3122P	5	19	Cast-Iron	Port Only (sensor not included)	127	58
1C-3132P	5	19	Cast-Iron	Electronic Sensor; 2 Stage, Normally Closed	127	58
1C-31512P	15	57	Cast-Iron	Float Gauge	185	84
1C-31532P	15	57	Cast-Iron	Electronic Sensor; 2 Stage, Normally Closed	185	84
1SC-3112P	5	19	Sealable	Float Gauge	127	58
1SC-3122P	5	19	Sealable	Port Only (sensor not included)	127	58
1SC-3132P	5	19	Sealable	Electronic Sensor; 2 Stage, Normally Closed	127	58
1SC-31512P	15	57	Sealable	Float Gauge	185	84
1SC-31532P	15	57	Sealable	Electronic Sensor; 2 Stage, Normally Closed	185	84

Add the following to part number for colored powder-coated covers and rings.

Example 1C-3XXXD-W or 1SC-3XXXD-W

<input type="checkbox"/> White	-W	<input type="checkbox"/> Orange	-O	<input type="checkbox"/> Yellow	-Y
<input type="checkbox"/> Red	-R	<input type="checkbox"/> Blue	-B	<input type="checkbox"/> Bronze	-BZ



Dimensions 5-gallon EDGE™

	in.	cm
A	16 ⁵ / ₈	42
B	16 ¹⁹ / ₃₂	42
C	22 ¹ / ₈	56
D	16 ⁷ / ₁₆	42

Dimensions 15-gallon EDGE™

	in.	cm
A	24 ⁷ / ₈	63
B	24 ¹ / ₂	62
C	24 ¹ / ₂	62
D	18	46

Replacement Parts/Accessories

Part #	Description	Part #	Description	Part #	Description
1-21CC-XX (XX = Color)	5 Gallon Cast-Iron RT cover	211465	Visigauge Complete S/A	H12267	Wood Block Leveling Kit
1-21AC	5 Gallon Aluminum RT Cover	206017	Sensor Adaptor S/A (Primary)	202136-KIT	5 Gallon Primary Bucket with Plug
H12229M	5 Gallon Cover Seal for 1-21AC and 1-21CC	211064	Visigauge (only)	205987-KIT	15 Gallon Primary Bucket with Drain-Valve
1C-31RTR-X (x=color)	5 Gallon Snow-Plow Ring	201972	O-Ring, Visigauge Adaptor	206215-KIT	15 Gallon Primary Bucket with Plug
201689	5 Gallon Seal for Snow-Plow Ring	202013	O-Ring, Visigauge	202137-KIT	5 Gallon Secondary Replacement Kit for Float Gauge
203340	15 Gallon Rain Tight Rings	1DK-2100-EVR	Drain-Valve Sub Assembly	206010-KIT	5 Gallon Secondary Replacement Kit for Sensor Buckets
H12229M	15 Gallon RT Cover Seal	201739	Nipple Adaptor	206011-KIT	5 Gallon Secondary Replacement Kit for Electronic Sensor
SC-XXXX (XXX = Color)	5 or 15 Gallon Sealable Covers Powder-Coated	C05446M	15 Gallon Main Cover Seal	205988-KIT	15 Gallon Secondary Bucket Assembly
203035	5 Gallon Sealable Cover Replacement Snow-Plow Ring (White)	201686	S/A Secondary Gravel Guard	203269	Replacement 2 Stage, Normally Closed Sensor and Sealed Base Plug; Used in 1C-xx32 series Edge
217500	5 Gallon Sealable Cover Replacement Snow_Plow Ring (Orange)			211079	Sensor Only Standard
217501	5 Gallon Sealable Cover Replacement Snow_Plow Ring (Red)	202135-KIT	5 Gallon Primary Bucket with Drain-Valve	210488	Sensor Only
217502	5 Gallon Sealable Cover Replacement Snow_Plow Ring (Yellow)			201692	O-Ring for 201739 Nipple
1DP-2100	Plug Kit	Float Gauge & Sensor Adaptor not included with replacement buckets			
SCR Series	15 Gallon Sealable Cover Replacement Snow-Plow Ring	Add the following to part number for colored powder-coated covers and rings. Example 1C-3XXXD-W or 1SC-3XXXD-W			

<input type="checkbox"/> White	-W	<input type="checkbox"/> Orange	-O	<input type="checkbox"/> Yellow	-Y
<input type="checkbox"/> Red	-R	<input type="checkbox"/> Blue	-B	<input type="checkbox"/> Bronze	-BZ

EDGE™ Replacement Cartridge Kit

Original Edge Model	Original Product Description	Primary-Containment Replacement Kit	Secondary-Containment Replacement Kit	Primary and Secondary Containment Replacement Kit/EDGE 1 Upgrade Kits
1C-3112D / 1SC-3112D	DW EDGE: Drain-Valve + Gauge	202135-KIT	202137-KIT	202135-KIT + 202137-KIT + 211465
1C-3112P / 1SC-3112P	DW EDGE: Plug and Gauge	202136-KIT	202137-KIT	202136-KIT + 202137-KIT + 211465
1C-3122D / 1SC-3122D	DW EDGE: Drain-Valve and Sensor Access Port	202135-KIT	206010-KIT	202135-KIT + 206010-KIT + 206017
1C-3122P / 1SC-3122P	DW EDGE: Plug and Sensor Access Port	202136-KIT	206010-KIT	202136-KIT + 206010-KIT + 206017
1C-3132D / 1SC-3132D	DW EDGE: Drain-Valve & 2 Stage Norm. Closed Sensor	202135-KIT	206011-KIT	202135-KIT + 206011-KIT + 206017
1C-3132P / 1SC-3132P	DW EDGE: Plug & 2 Stage Norm. Closed Sensor	202136-KIT	206011-KIT	202136-KIT + 206011-KIT + 206017
1C-3101D / 1SC-3101D	EDGE 1: Drain-Valve	203193-KIT		
1C-3101P / 1SC-3101P	EDGE 1: Plug	203194-KIT		
1C-31512D / 1SC-31512D	DW Edge: 15 Gallon Drain-Valve + Gauge	205987-KIT	205988-KIT	205987-KIT + 205988-KIT + 211465
1C-31512P / 1SC-31512P	DW Edge: 15 Gallon Plug + Gauge	206215-KIT	205988-KIT	206215-KIT + 205988-KIT + 211465
1C-3142D / 1SC-3142D	DW Edge: Drain and Tri-State Sensor	202135-KIT	210493-KIT	202135-KIT + 210493-KIT + 206017
1C-3142P / 1SC-3142P	DW Edge: Plug and Tri-State Sensor	202136-KIT	210493-KIT	202136-KIT + 210493-KIT + 206017

Replacement Parts/Accessories

Part #	Description
SC-Test	Testable Sealable cover for SC Edge or 1-2200 buckets

4" Threaded Nipples for Mating Spill Bucket to Adaptor

Part #	Description
TC-400	4" Torque Cap
H15144M	4" NPT Nipple, 4" Length
H12806M	4" NPT Nipple, 5" Length
VPN4X7	4" NPT Nipple, 7" Length
H15271M	4" NPT Nipple, 8" Length
H15268M	4" NPT Nipple, 10" Length

4" Riser Extenders

Part #	Description
206121	4" NPT Riser Pipe Extender, adds 2" to Height
206122	4" NPT Riser Pipe Extender, adds 3.25" to Height

206122 Adapter
(adds 3.25")



206121 Adapter
(adds 2")



SC Tester



Threaded Nipple