

Build Your Own Island Form Or Curbing From Individual Sections

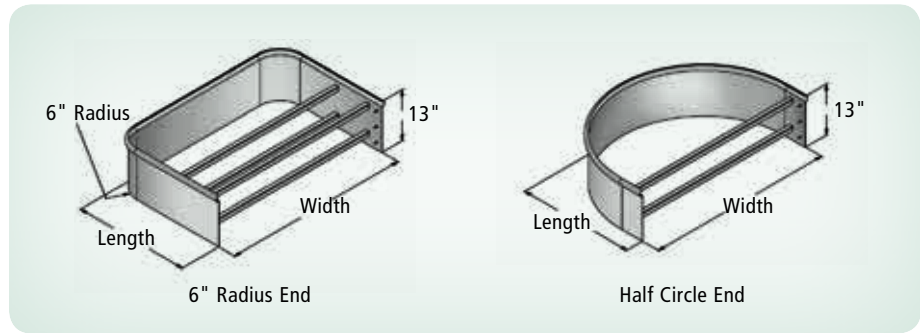
Build your own Island Forms and Protective Curbing to fit your particular application from standard sections. Standard models are steel and stainless steel models are 304 stainless.

Standard Island Form End Sections

End Sections are available to build customized Island Forms from standard OPW Island Form components. Sections are available in Half Circle or 6" Radius configurations. Each End Section is pre-braced and includes all required hardware for assembly.

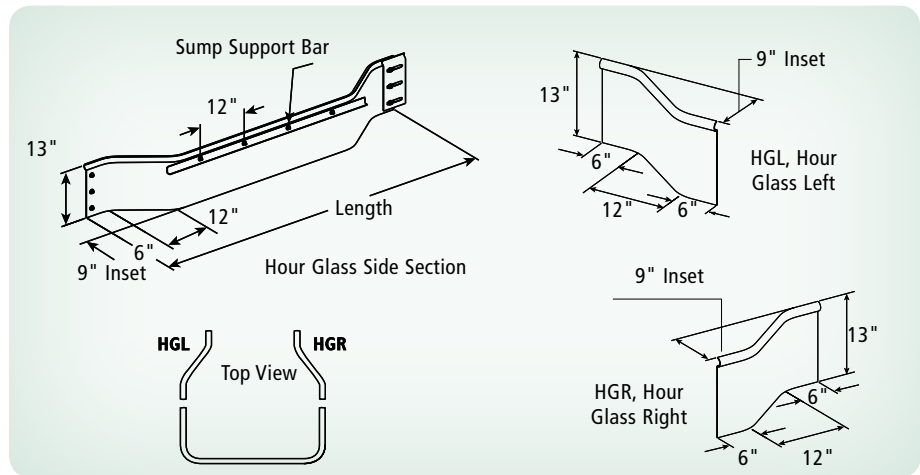
Hour Glass Sections

Hour Glass Sections are designed with double-reverse 9" tapers to provide easy access to multi-product gasoline dispensers. One-piece Hour Glass Sections are available from 5' through 9'. Sump Support Bars are included with individual Hour Glass Sections. HGL and HGR sections can be used in conjunction with Straight Sections when designing longer Hour Glass Islands, or for use in Protective Curbing applications.



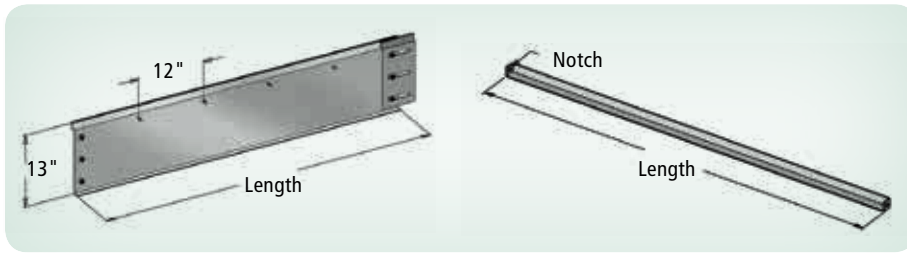
Ordering Specifications (Standard End Sections)

Model #	Radius (in.)	Width (ft)	Length	Weight
6013P-EHCW3L30	Half Circle	3	2' 6"	37 lbs.
6013P-EHCW4L30	Half Circle	4	2' 6"	40 lbs.
6013P-ER6W3L18	6	3	1' 6"	37 lbs.
6013P-ER6W3L30	6	3	2' 6"	45 lbs.
6013P-ER6W4L12	6	4	1'	35 lbs.
6013P-ER6W4L18	6	4	1' 6"	40 lbs.
6013P-ER6W4L30	6	4	2' 6"	52 lbs.



Ordering Specifications (Hour Glass)

Model #	Length	Comments	Wgt (lbs.)
6013P-HGL	2'	Hour Glass Left Side Section	13
6013P-HGR	2'	Hour Glass Right Side Section	13
6013P-HG05	5'	Hour Glass Side Section	35
6013P-HG06	6'	Hour Glass Side Section	40
6013P-HG07	7'	Hour Glass Side Section	45
6013P-HG08	8'	Hour Glass Side Section	50



Straight Sections

Straight Sections are designed with a 1" bottom flange to add rigidity for accurate alignment of sections. Island Form End Sections are easily extended with various-length Straight Sections. Sump Support Bars are not included with individual Straight Sections. Straight Sections are key to the design of Protective Curbing.

Ordering Specifications

Model #	Length	Weight
6013P-S01	1'	6 lbs.
6013P-S015	1' 6"	9 lbs.
6013P-S02	2'	12 lbs.
6013P-S025	2' 6"	15 lbs.
6013P-S03	3'	18 lbs.
6013P-S035	3' 6"	21 lbs.
6013P-S04	4'	24 lbs.
6013P-S05	5'	30 lbs.
6013P-S06	6'	36 lbs.
6013P-S07	7'	42 lbs.

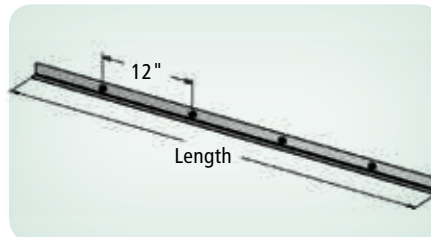
13" Mounting Plate
(Includes Hardware)

Cross Braces

Cross Braces are notched on both ends for use with Sump Support Bars. Holes punched in both ends slide over threaded studs to bolt the brace to the island. Bracing is recommended every 2 feet along the inside of Hour Glass and Straight Sections.

Ordering Specifications

Model #	Length (in.)	Weight
6000P-B24	24	1 lbs.
6000P-B30	30	2 lbs.
6000P-B36	36	2 lbs.
6000P-B42	42	2 lbs.
6000P-B48	48	3 lbs.
6000P-B60	60	3 lbs.



Sump Support Bars

Sump Support Bars are designed to allow OPW Island Forms to accept various-width sumps. The bars are positioned to locate the top of OPW Dispenser Sump Frames 1/2" above finished island grade to direct water drainage away from the sump. Sump Support Bars must be specified when designing Island Forms from individual Straight Sections.

Ordering Specifications

Model #	Length (in.)	Weight
6000P-SMP	54	3 lbs.

Build Your Own Island Form Or Curbing

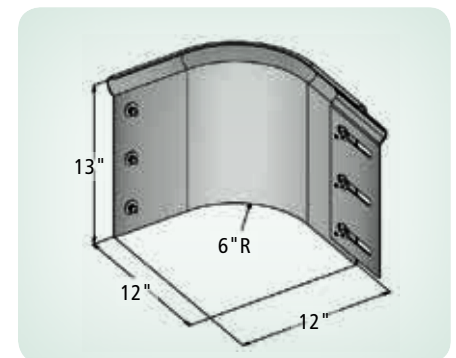
Build your own Island Forms and Protective Curbing to fit your particular application from standard sections. Standard models are steel and stainless steel models are 304 stainless.

Corner Sections

Corner Sections are designed for use in various Island Form widths, or for use in Protective Curbing applications.

Ordering Specifications

Model #	Length (in.)	Weight
6013P-R6C	12	10 lbs.



Curb Fascia Brackets

Curb Fascia Brackets replace cross braces and are designed to brace sections when utilized as protective curb fascia. The brackets are hole-punched for bolting to threaded studs, and allow for 1/2" diameter #4 reinforcement bars to secure the sections in place.

Ordering Specifications

Model #	Length (in.)	Weight
6000P-CFB	11	1 lbs.
6013P-Link Steel (12K Plate)		
6013SSP-Link Stainless Steel Link		