



## Materials

**Body:** Brass

**Jaws:** Stainless steel

**Seals:** Specially formulated polymers and elastomers specific to high-pressure NGV applications.

CT5000S  
Coupling End



CT5000S  
Hose  
Connection End

## Features

- ◆ **High-Flow/Fast-Fill Capability** - to provide quick fueling of large storage vehicles. Internal seals are specially designed to meet the demands of fast-fill NGV fueling.
- ◆ **User-Friendly Single-Action Operation** - entire fueling operation is initiated by simply engaging nozzle and receptacle with a single 180° rotation of the handle. This automatically secures the nozzle jaws onto the receptacle and activates a system of three internal valves that regulate fueling. The nozzle will not dispense gas until securely engaged onto an appropriate receptacle. When fueling is completed, rotation of the handle to the disconnect position automatically stops the flow of gas into the nozzle, vents the trapped gas and releases the nozzle from the receptacle. The 5000 Series nozzles connect directly to the hose, eliminating the need for a three-way valve. They are designed for public or private self-service applications, eliminating the need for a trained attendant.
- ◆ **Directed Vent** - directs the gas vented at disconnect and directs it out of the nozzle via a 3/8" stainless steel tubing connection (requires -6 compression adaptor), which can be piped to a remote venting location or back to the upstream side of the compressor. Directing the vent gas is environmentally desirable and will provide an added measure of safety by minimizing the amount of gas present

at the filling site. It also reduces vent noise and escaped gas smell.

- ◆ **Jaw-Lock Technology** - designed specifically for the frequent coupling and uncoupling of the high-pressure gas connections of NGV fueling. Forces at the contact point are distributed over the entire surface area of the receptacle.
- ◆ **Ergonomic Design** - one simple and convenient motion ensures connection and dispensing by all users. Insulated jacket provides thermal protection for operator's hand.
- ◆ **Durable Construction** - brass and stainless steel construction provides excellent corrosion resistance in the harsh refueling environment.
- ◆ **Tamper Resistant** - specially designed cam system actuates the front and rear valve module. Any tampering with the valve will result in an immediate shut-off of the dispensing process.
- ◆ **Individually Leak Tested and Inspected with Traceable Serial Numbers**

## Specifications:

Min. Flow Rate: 5000 SCFM @ 3000 psid

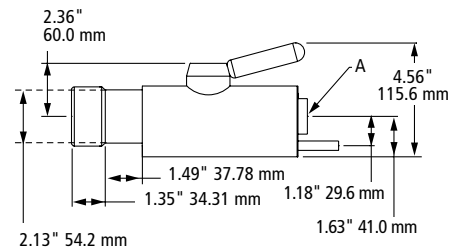
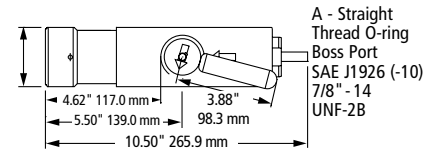
Temperature Range: -40° F to 185° F  
(-40° C to 85° C)

Cv: 2.75

MAWP: 4532 psi (312.5 Bar)

## CT5000 Series Bus/Heavy-Duty Truck Nozzles (Type 1)

OPW 5000 Series nozzles are designed for extremely high-flow public and private CNG fueling systems. Applications include quick-fill, self-service fueling of transit buses and large trucks.



CT5000S and CT5000S-CE

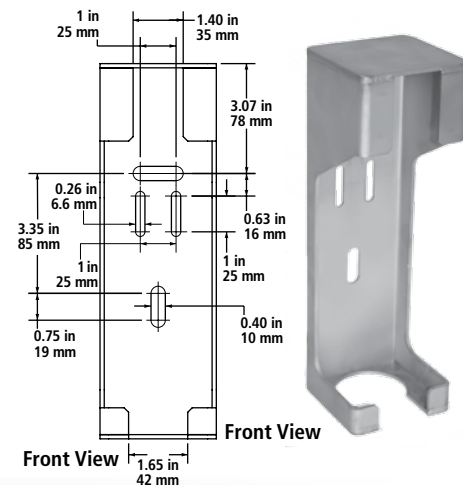
## Ordering Specifications

Product #	Inlet Thread Size	Service Pressure	Weight
CT5000S (directed vent)	SAE - 10, 7/8" - 14 UNF	3625 psi (250 bar)	8.77 lb. - 3.98 kg
CT5000S-CE (for EU & 150-14469-2 Markets)	SAE - 10, 7/8" - 14 UNF	3625 psi (250 bar)	8.77 lb. - 3.98 kg

Connects to CL50 Series heavy-duty receptacles

## Dispenser Mount

210642 Stainless steel, II gage



## Listings and Certifications



CE 0036

CRN

See page 33 for Canadian Registration Number

# CleanEnergy Nozzle Compatibility Matrix



	CNG Nozzles	CNG Breakaways		NEW CNG Breakaways & CNGBREAKKITS			Standard NGV1 CNG Receptacles NOTE: These use Receptacle Fit Gage RINGO-0001						High Flow CNG Receptacles NOTE: These use Receptacle Fit Gage RINGO-0005						Nozzle Gages									
		ILB-1	ILB-5	FLB 1000 & CNG BREAK KIT-1000	FLB 5000 & CNG BREAK KIT-5000	NGVLB	LB30	LD30	LE30	LB36	LD36	LE36	CL40	CL4078	CL50	CL5000	CL5016	CL5078	JAWGO -1	JAWGO -5								
NGV1	Type 1	PGXXP30	✓	X	✓	X	✓	✓	✓	✓	✓	✓	✓	✓	✓	✓	✓	✓	✓	✓	✓	✓	✓	✓	X	X		
		PGXXP36	✓	X	✓	X	✓	✓	✓	✓	✓	✓	✓	✓	✓	✓	✓	✓	✓	✓	✓	✓	✓	✓	✓	X	X	
		CT1000SS (3,000 psi/ 200 bar)	✓	X	✓	X	✓	✓	✓	✓	✓	✓	✓	✓	✓	✓	✓	✓	✓	✓	✓	✓	✓	✓	✓	✓	X	X
		CT1000P36S (3,600 psi/ 250 bar)	✓	X	✓	X	✓	X	X	X	✓	✓	✓	X	X	X	X	X	X	X	X	✓	✓	✓	✓	✓	X	X
	Type 2 & 3	CC300P30S (3,000 psi/ 200 bar)	✓	X	✓	X	✓	✓	✓	✓	✓	✓	X	X	X	X	X	X	X	X	✓	✓	✓	✓	✓	X	X	
		CC300P36S (3,600 psi/ 250 bar)	✓	X	✓	X	✓	X	X	X	✓	✓	X	X	X	X	X	X	X	X	✓	✓	✓	✓	✓	X	X	
		CC600S (3,000 psi/ 200 bar)	✓	X	✓	X	✓	✓	✓	✓	✓	✓	X	X	X	X	X	X	X	X	✓	✓	✓	✓	✓	X	X	
		CC600P36S (3,600 psi/ 250 bar)	✓	X	✓	X	✓	X	X	X	✓	✓	X	X	X	X	X	X	X	X	✓	✓	✓	✓	✓	X	X	
	Type 3	CC600 Series Nozzle including 3-Way Valve (3WV series) (3,600 psi/ 250 bar & 3,000 psi/ 200 bar)	✓	X	✓	X	✓	✓	✓	✓	✓	✓	X	X	X	X	X	X	X	X	✓	✓	✓	✓	✓	X	X	
		CC250 (3,000 psi/ 200 bar)	✓	X	✓	X	✓	✓	✓	✓	✓	✓	X	X	X	X	X	X	X	X	X	X	X	X	X	X	X	
Bus / High Flow	Type 1	CT5000S (3,600 psi/ 250 bar)	X	✓	X	✓	✓	X	X	X	X	✓	✓	✓	✓	✓	✓	✓	✓	X	X	✓	✓	X	✓	✓		
	Type 2	CC6000 (3,600 psi/ 250 bar)	X	✓	X	✓	✓	X	X	X	X	✓	✓	✓	✓	✓	✓	✓	✓	X	X	✓	✓	X	✓	✓		
CNG Defueling	BDN (3,600 psi/ 250 bar)	✓	X	✓	X	✓	✓	✓	✓	X	✓	✓	X	X	X	X	X	X	X	✓	✓	✓	✓	✓	X	X		

# CleanEnergy Hose Kit Compatibility Matrix

Fully Factory Assembled and Tested



			Time Fill			Light Duty (LD)					Heavy Duty (HD)		Extra Heavy Duty (XHD)	Defueling		
			2' Whip Hose / 14' Main Hose	2' Whip Hose / 18' Main Hose	8' Whip Hose / 12' Main Hose	2' Whip Hose / 8.3' Main Hose	2' Whip Hose / 8.3' Main Hose	2' Whip Hose / 10' Main Hose	2' Whip Hose / 13' Main Hose	2' Whip Hose / 13' Main Hose	2' Whip Hose / 8.3' Main Hose	2' Whip Hose / 8.3' Main Hose	2' Whip Hose / 8.3' Main Hose	10' Whip Hose / 2' Main Hose	25' Whip Hose / 25' Main Hose	
			TFCNG KIT-14C36	TFCNG KIT-20B36	TFCNG KIT-20D36	LDCNG KIT-11	LDCNG KIT-11 FLB	LDCNG KIT-12	LDCNG KIT-15A	LDCNG KIT-20B36	HDCNG KIT-11	HDCNG KIT-11FLB	XHDCNG KIT-10	LDCN DPK-12	XFLDCNG KIT-50	
Nozzles	NGV1	Type 1	PGXXP30	X	X	X	Contact OPW for Quote					X	X	X	X	X
		PGXXP36	X	X	X	Contact OPW for Quote					X	X	X	X	X	
		CT1000SS	X	X	X	X	X	X	✓	X	X	X	X	X	X	
		CT1000P36S	X	X	X	✓	✓	✓	X	X	X	X	X	X	✓	
	Type 2 & 3	CC600 Nozzle including 3-Way Valve	✓	✓	✓	X	X	X	X	✓	X	X	X	X	X	
	Bus / High Flow	Type 1	CT5000S	X	X	X	X	X	X	X	✓	✓	✓	X	X	
	Defueling	BDN	X	X	X	X	X	X	X	X	X	X	X	✓	✓ with 3WV-46D	
Fill Line Break-aways	Standard Duty	ILB-1	X	X	X	✓	X	X	X	X	X	X	X	X	X	
		FLB-1000	X	X	X	X	X	X	X	X	X	X	X	✓	X	
		CNGBREAK KIT-1000	✓	✓	✓	X	✓	✓	✓	✓	X	X	X	X	✓	
Fill Line Break-aways	Bus / High Flow	ILB-5	X	X	X	X	X	X	X	X	✓	X	X	X	X	
		FLB-5000	X	X	X	X	X	X	X	X	X	X	X	X	X	
		CNGBREAK KIT-5000	X	X	X	X	X	X	X	X	X	✓	✓	X	X	
Vent Line Breakaways	NGVLB	✓	✓	X	✓	X	✓	✓	✓	✓	✓	✓	X	✓		
Hose Retractor	6102-CNG	X	X	X	✓	✓	✓	✓	✓	X	X	X	X	✓		
	6102-CNG2	X	X	X	X	X	X	X	X	X	X	X	X	X		
	6102-CNG3	X	X	X	X	X	X	X	X	✓	✓	X	X	X		
	6102-CNG4	✓	✓	✓	X	X	X	X	X	X	X	X	X	X		

## Canadian Registration Numbers by Province

Canadian Registration Numbers OPW CleanEnergy Products	British Columbia	Alberta	Ontario	Quebec	Saskatchewan	Manitoba	Nova Scotia	New Brunswick
PG series	pending	pending	pending	pending	pending	pending	pending	pending
CT1000 series	0H13989.51	0H13989.52	0H13989.5	0H13989.56	0H13989.56	0H13989.56	pending	pending
CT5000	0H15417.51	0H15417.52	0H15417.5	0H15417.56	0H15417.56	0H15417.54	0H15417.58ADD1	pending
CC600 series	0H13989.51	0H13989.52	0H13989.5	0H13989.56	0H13989.56	0H13989.56	pending	pending
ILB-1	0H13989.51	0H13989.52	0H13989.5	0H13989.56	0H13989.56	0H13989.56	pending	pending
ILB-5	0H15417.51	0H15417.52	0H15417.5	0H15417.56	0H15417.56	0H15417.56	pending	pending
VLB	0H13989.51	0H13989.52	0H13989.5	0H13989.56	0H13989.56	0H13989.56	pending	pending
FLB-1000 (new)	0H17341.51	0H17341.52	0H17341.5	0H17341.56	0H17341.56	0H17341.56	0H17341.5987	0H17341.5987
FLB-5000 (new)	0H17341.51	0H17341.52	0H17341.5	0H17341.56	0H17341.56	0H17341.56	0H17341.5987	0H17341.5987
NGVLB (new)	0H17341.51	0H17341.52	0H17341.5	0H17341.56	0H17341.56	0H17341.56	0H17341.5987	0H17341.5987
BDN	Pending	0H17140.2	Pending	Pending	Pending	Pending	Pending	Pending

## TUV Approved

- ◆ PGXXP3X Series
- ◆ CT1000 series nozzles
- ◆ CT5000 series nozzles
- ◆ CC 200 series nozzles
- ◆ CC 300 series nozzles
- ◆ CC 600 series nozzles
- ◆ CC 6000 series nozzles
- ◆ ILB series breakaways
- ◆ FLB series breakaways
- ◆ NGVLB series breakaways
- ◆ LB, LD, LE series receptacles
- ◆ CL series receptacles