

# OPW VENT TRANSITON SYSTEM



Customizable



Superior Quality



Faster Installs

**OPW**   
RETAIL FUELING  
a **DOVER** company

LEARN MORE. VISIT US AT:  
[opwglobal.com/products/us/retail-fueling-products/def-handling-hardware](http://opwglobal.com/products/us/retail-fueling-products/def-handling-hardware)

# THE BEST SOLUTION FOR

## VSE Vent Transition Sump

The primary component to OPW's Vent Transition System is the new VSE Vent Transition Sump. The VSE is an at-grade system that utilizes a fiberglass base with powder-coated steel top.

### Vent Stack Entries

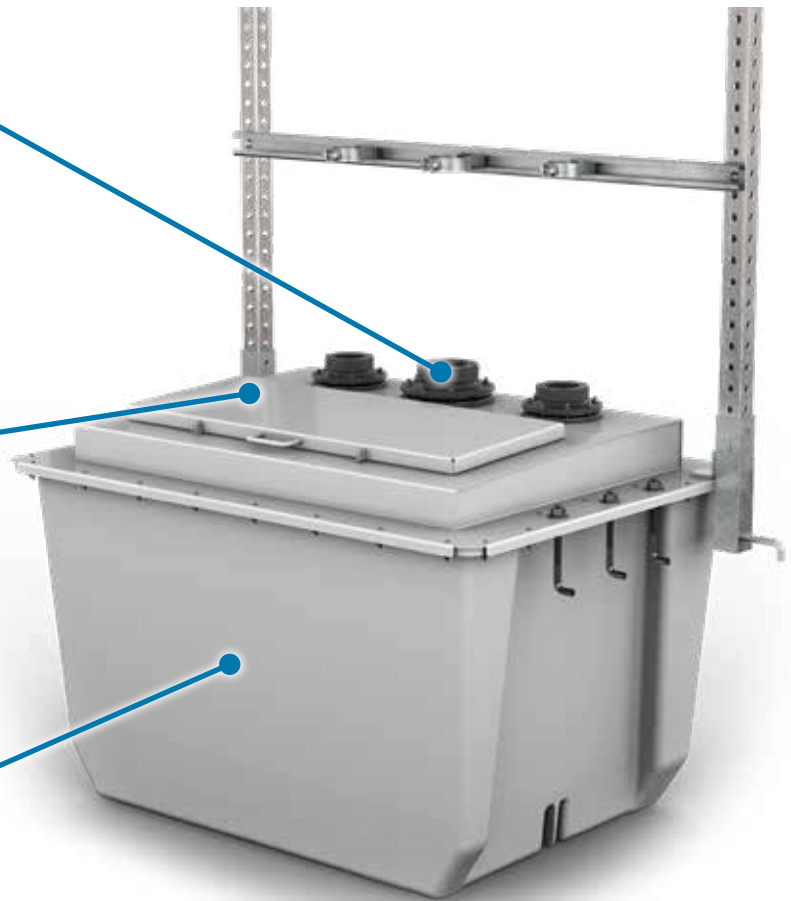
Rigid Entry Fittings (REF) are included for the top's pre-cut vent stack entries. Additionally, UV/weather-resistant caps are provided for protecting the REF fittings. A vent stack rack system is available in units of 4ft up to 12ft total.

### Tops

Laser-cut tops feature a lockable access hatch along with tested water-shedding capability. The finish allows for less heat absorption and long-lasting performance. Tops are customizable, arriving with vent stack entries pre-cut.

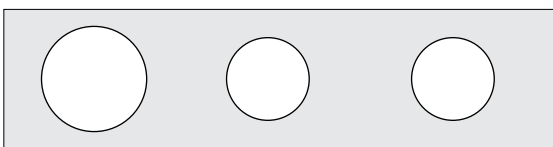
### Base

The Fiberglass DSE Base is made using advanced composite technology, providing smooth surfaces on both sides of the sump walls. This creates consistent thickness and shape for strong bonds with entry fittings.

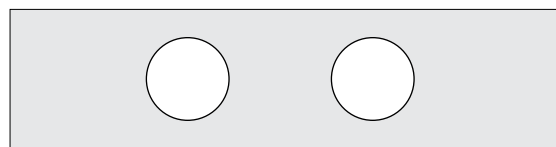


## Part Number Configuration Guide

VSE - \_ \_ \_ \_ Dashes represent number of vent entry stacks (up to 4) and number of inches diameter (2" or 3")



**Example A:**  
 VSE-322 = (3) entries total. (1) 3" diameter and (2) 2" diameter



**Example B:**  
 VSE-22 = (2) entries total, both 2" diameter

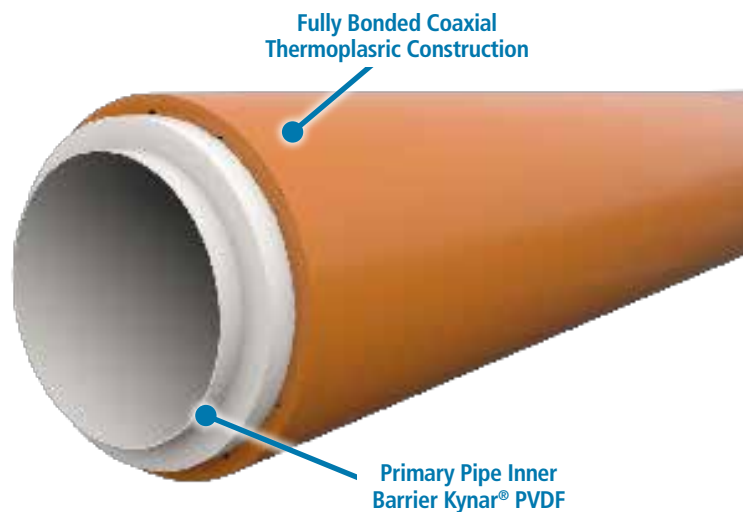
# EVERY VENT TRANSITION

## OPW FlexWorks Vent Pipe

OPW Double-Wall Vent Piping is a new alternative to FRP vent pipe that is more flexible, lighter, and easier to install.

## Eliminate Potential Underground Leak Points

- Continuous piping runs between tank and vent stacks
- No hand-built field joints
- Stainless-steel fittings for worry-free corrosion resistance
- Used with either OPW DPC swage-on or SBC bolt-on double-wall couplings



## Features

- **Fast and easy installation** – results in less installation labor, time and cost
- **Eliminates burdensome cutting, fitting, cleaning, gluing or welding**
- **No adhesives**, heat assists, curing problems or electrofusion welding of joints
- **Easy to bend** - no special fittings to install in order to make bends
- **Vent Pipe Kit** to seal off interstitial testing port when directly burying double wall fittings



ULc Approved for Venting with All Fuels

### Ordering specifications - Sizing Matrix

Part #	Description	Packaged
V20-250	2" Double-Wall Vent Pipe	250' Reel
V20-500	2" Double-Wall Vent Pipe	500' Reel
V30-250	3" Double-Wall Vent Pipe	2450' Reel
V30-500	3" Double-Wall Vent Pipe	500' Reel

### Accessories

<b>Pipe Couplings</b>	DPC-2200A 2" Double-Wall Swivel Pipe Coupling, Flat Gasket DPC-2300A 3" Double-Wall Swivel Pipe Coupling, Flat Gasket BMA-3030 3" Barbed Male Adaptor
<b>Entry Fittings</b> (OPW Vent Pipe into Sump)	REF-0200 2" entry fitting HEF-6030 3" entry fitting EBF-0300 3" Entry Boot Fitting for 3" DW FlexWorks Pipe or 3" Rigid Pipe/LCX
<b>Elbows</b>	SEF-2020 2" Elbow, 2" Female NPT to 2" Male NPSH SEF-3030 3" Elbow, 3" NPSH x 3" NPT

# OPW Vent Transition System

For superior performance, cost savings, and enhanced efficiency of installs, OPW now offers a selection of products to create a Vent Transition System. Customers may choose to include these products as part of their VSE vent sump installation.

## Pressure Vacuum Vents:

OPW 623V and 723V (CARB EVR) installed at the top of vent pipe stacks protect from intrusion. A closed poppet opens at a pre-determined pressure to allow the tank to vent.

## Vent Stack Modular Rack System:

Galvanized steel components to protect against rust/corrosion. Available in increments of 4 ft each up to 12 ft in total.

**VSR-4: 4ft VSR-8: 8ft VSR-12: 12ft**

## VSE Vent Transition Sump:

Fiberglass base with configurable, laser-cut steel top that is powder-coated for durability. An at-grade system with lockable access hatch and water-shedding capabilities. Rigid Entry Fittings (REF) and UV/weather protection caps included for vent stack installation.

## OPW FlexWorks Vent Pipe:

Fast, simple installation helps decrease labor costs. Less potential for underground leak points with continuous piping runs and no hand-built field joints. Available in 2" or 3".

Using OPW Flexible Vent Pipe over FRP vent pipe avoids the use and additional cost of flex connectors inside the sump.

## Entry Fittings, Pipe Couplings and Components:

Complete the OPW Vent transition system with compatible entry fittings into the sump base, pipe couplings for vent pipe, and elbows from piping to vent stacks.

