

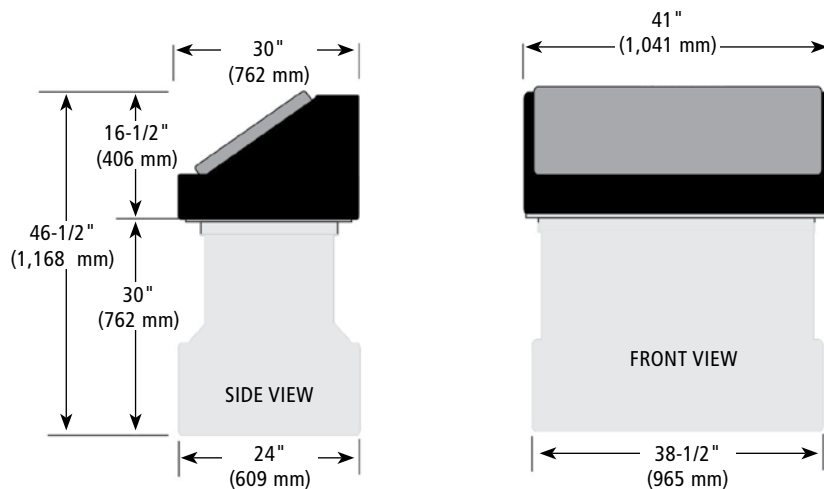
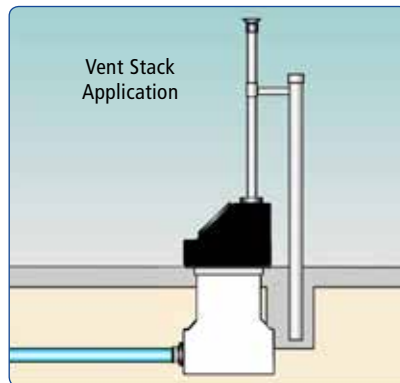
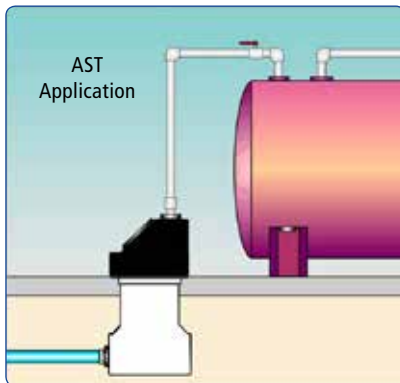
## Transition Sumps

### Model PTS-4021 Transition Sump (2 Piece - Polyethylene Sump/ Polyethylene Top)

- ◆ Non-corroding, polyethylene sump container
- ◆ Weatherproof lockable cover
- ◆ Exterior anchoring system

AST Application: Provides secondary containment and accessibility to the fittings that connect the underground supply piping to the rigid supply piping that leads from an above ground storage tank.

Vent Stack Application: Transition sump is used for containment and accessibility to the fittings. At the vent stack, where the underground vent piping connects to the rigid vent stack piping.



The complete Environmental System for underground fuel transfer and containment for the 21st century.