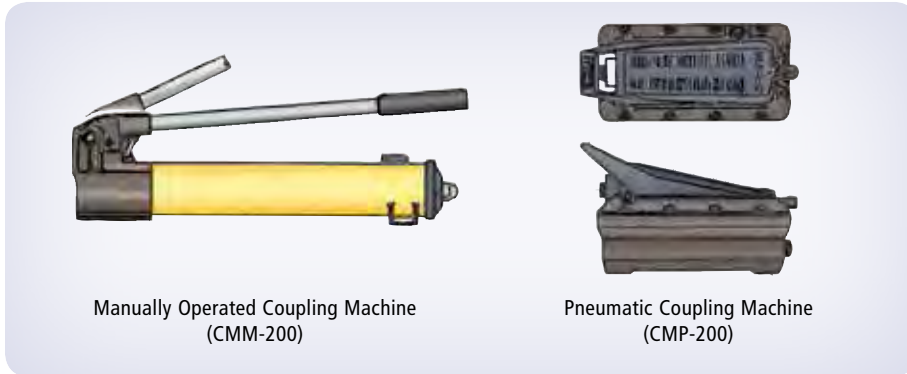


Installation Tools Coupling Machines

The OPW Coupling Machine is required for the installation of both coax and swivel pipe couplings. The Coupling Machine is designed to internally expand the metal pipe insert installed at the end of a flexible pipe section. Coupling machines are available in both 110 and 220 volt models. Coupling swage kits are available to couple both coax and swivel couplings for a variety of pipe sizes.

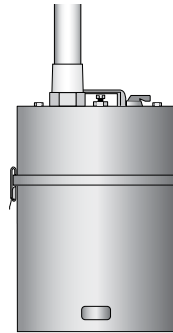


Manually Operated Coupling Machine
(CMM-200)

Pneumatic Coupling Machine
(CMP-200)

Electronic Coupling Machine (CME-0110, CME-0220 and CME-0110R)

The OPW Electronic Coupling Machine can couple the entire swivel and coax fitting line. Swage kits are required. The CME-0110R model is our Remote Electronic Coupling Machine. This machine comes with the hydraulics on the outside of the machine so pipe can be coupled in tight areas like inside a sump. All of the functions of the CME-0110 apply to this unit as well.



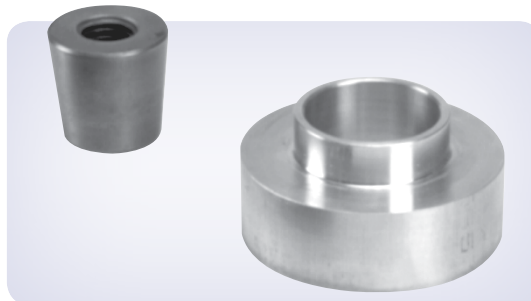
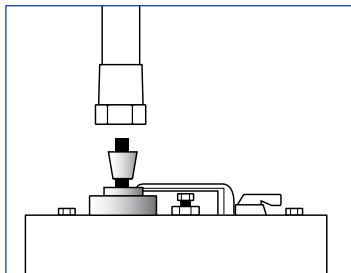
Electronic Coupling Machine
220 Volt: (CME-0220)
110 Volt: (CME-0110)
110 Volt, Remote (CME-0110R)

Manually Operated and Pneumatic Coupling Machines (CMM-200 and CMP-200)

The OPW Manually Operated and Pneumatic Coupling Machines can couple Stainless Steel (SSPFC), Swivel (SPC) and Double-Wall (DPC) fittings for 1.5" and 2" only. Swage kits are required.

Ordering Specifications Coupling Machine

Model	Application
CME-0110R	Coupling Machine, 110 Volt, Remote
CME-0110	Coupling Machine, 110 Volt
CME-0220	Coupling Machine, 220 Volt
CMM-200	Coupling Machine, Manual
CMP-200	Coupling Machine, Pneumatic



Swage Kits

Swages are used with the OPW Coupling Machine to internally expand the coupling onto the end of the flexible pipe section. There are a variety of coupling swage kits available to accommodate a variety of coupling types and sizes. NOTE: 3/4" and 1" swage kits adapt to the 1-1/2" swivel faceplate that comes standard with each coupling machine.

Ordering Specifications - Swage Kit

Fitting Type & Model #	Coupling Machine Model				
	CME-0110	CME-0110R	CME-0220	CMM-200	CMP-200
3/4" Swivel (SPC-0075) *	CSK-0075S	CSK-0075S	CSK-0075S	N/A	N/A
1" Swivel (SPC-0100) *	CSK-0100S	CSK-0100S	CSK-0100S	N/A	N/A
1.5" Swivel (SPC-0150A)	CSK-0150S	CSK-0150S	CSK-0150S	SBA2-0150	SBA2-0150
1.5" DW Swivel (DPC-2150A)	CSK-0150S	CSK-0150S	CSK-0150S	SBA2-0150	SBA2-0150
1.5" SS Fittings (SSPFC2-150)	SSSBE-150	SSSBE-150	SSSBE-150	SSSBA-150	SSSBA-150
2" Swivel (SPC-0200A)	CSK-0200S	CSK-0200S	CSK-0200S	SBA2-0200	SBA2-0200
2" DW Swivel (DPC-2200A)	CSK-0200S	CSK-0200S	CSK-0200S	SBA2-0200	SBA2-0200
2" SS Fittings (SSPFC2-200)	SSSBE-200	SSSBE-200	SSSBE-200	SSSBA-200	SSSBA-200
3" Swivel (SPC-0300)	CSK-0300S	CSK-0300S	CSK-0300S	N/A	N/A

***IMPORTANT:** When coupling 3/4" and 1" pipe, use the faceplate for the CSK-0150S swage kit as a base for the CSK-0075S and the CSK-0100S swage kits.