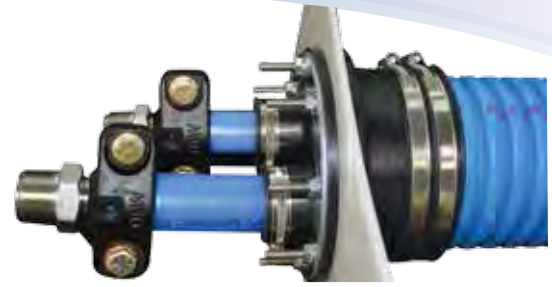


Flexible Piping Systems for Fuel Oil & Generator Applications

The FlexWorks Fuel Oil Piping System is designed to provide a reliable fuel supply system to generators and boilers from remote fuel tanks. Typical applications include both a 3/4" supply and a 1" overflow return line running from a remote AST or UST to a generator engine or boiler day tank. Both lines are typically inserted into a common FlexWorks Access Pipe to provide retractable access to the fuel lines. See page 10 for fuel oil pipe. OPW will cut fuel oil pipe to length at no charge.



DEB-4175 Double Entry Boot Fitting



3/4" Primary Pipe with SBC Fitting



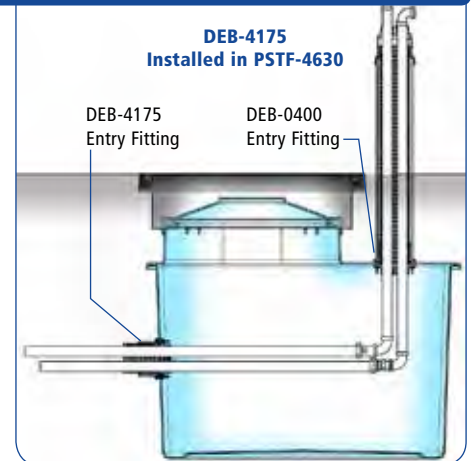
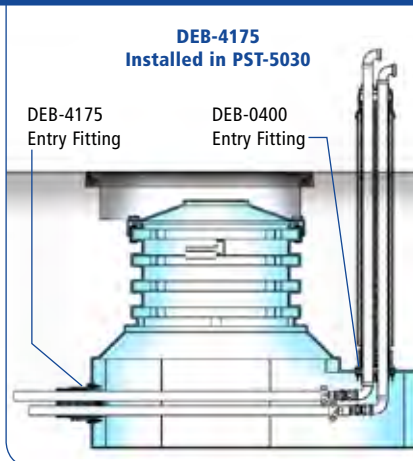
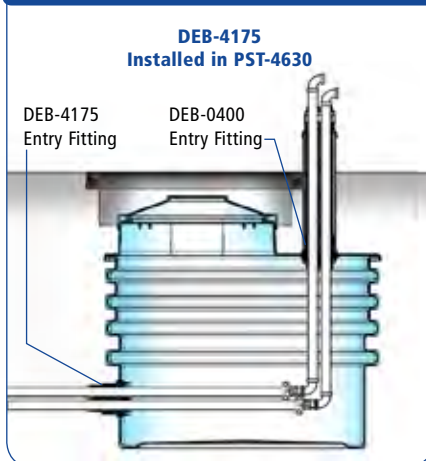
1" Primary Pipe with SBC Fitting

Ordering Specifications Specialty Fittings

Model #	Application	Weight	
		lbs.	kg
PDT-411	4" x 1" x 1" Double Tap Bushing	12	5
PJK-4175	4" x 1" x 3/4" Pipe Joining Kit	10	4.5
PTA-4175	Transition Assembly	8	3.5
TBA-4175	4" Fuel Oil Boot Transition Assembly	1	0.5
TBA-4175A	4" Fuel Oil Boot Transition Assembly with Air Stem	1	0.5

Model #	Application	Weight	
		lbs.	kg
SBC-2075	Swivel Bolt-On Coupling 3/4" NPT		
SBC-2100	Swivel Bolt-On Coupling 1" NPT		
DEB-4175	3/4" and 1" Double Entry Boot Fitting	3.25	1.47

AST APPLICATIONS



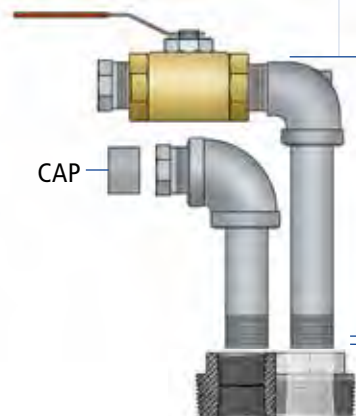
Transition Assembly Specialty Fittings - 3/4" and 1"



TBP-100
Plug for the Port on TBA-4175 Series Test Boots: For use when running only one fuel line inside AXP Pipes.



PTA-4175
FlexWorks Fuel Oil Piping Pipe Above/Below Ground Transition Assembly –
For slab penetration of 4" (10 cm) access pipe with 3/4" (2 cm) or 1" (3 cm) Fuel Oil Pipes



PDT-411 FlexWorks Double-Tapped Tank Bung Fitting, 4" (10 cm) MNPT w/Dual 1" (3 cm) FNPT Taps - Used in 4" (10 cm) Tank Bung to accommodate FOP Supply and Return Lines

PJK-4175 FlexWorks Fuel Oil Piping Pipe Joint Kit – includes nipples, ball valve and fittings used to connect 3/4" (2 cm) or 1" (3 cm) FOPs to PDT-411 Tank Bung Fitting