

### Features

- ◆ Easy Installation – a 4" flexible boot on the back panel allows for a quick, simple connection to the remote fill or vapor lines. Optional reducer inserts are available to accommodate 3" and 2" piping connections.
- ◆ Models to Accommodate Various Fill Pipe Configurations – available in 15, 20 and 30-gallon container capacity. Smaller 15-gallon models are designed for a single-fill or vapor return connection. Larger 20 and 30-gallon models accept both fill and vapor return piping in a dual-port configuration. The 30-gallon model will accommodate both fill and vapor return piping in a single-port configuration and allow the use of 3" Dry Disconnects (OPW 1611AN and 1711D) in a dual-port configuration.
- ◆ Rain-Shedding Cover Design – hooded cover design helps prevent water or snow entry by extending the lip of the cover over the body of the spill container.
- ◆ 12-Gauge Epoxy-Powder Coated Steel or Stainless Steel Containment Box – heavy duty materials, compatible with hydrocarbons, for long service life and added security.



See Pomeco Product Configurator

6211-R

- ◆ Welded-Hinge, Lockable Hatch – cover includes a provision for a padlock and a welded-hinge assembly for added security.
- ◆ Easy Product Drainage – lockable ball valve drain provides for quick and easy product removal.
- ◆ Height Adjustable – adjustable legs enable the spill container to be set at a variety of heights, from 16½" to 30". Each leg is independently adjustable to account for uneven ground conditions.
- ◆ CARB Certified
- ◆ Custom Sizes Available Upon Request.

### Ordering Chart

6	R –				
211		15	0	B2	L
211SS		20	1	B3	LD
		30	2	B4	N
				N	ND

211 – 12 Gauge Powder-Coated Steel Construction  
211SS – Stainless Steel Construction

15 – 15 Gallon Capacity  
20 – 20 Gallon Capacity  
30 – 30 Gallon Capacity

0 – No entry holes  
1 – 1, 4" Entry hole  
2 – 2, 4" Entry holes (30 Gallon Only)

B – Booted entry fittings in holes  
N – No fittings in holes  
2 – 2" Fitting  
3 – 3" Fitting  
4 – 4" Fitting

L – Adjustable legs and No base drain valve  
LD – Adjustable legs with base drain valve  
N – No legs and No base drain valve  
ND – No legs with base drain valve

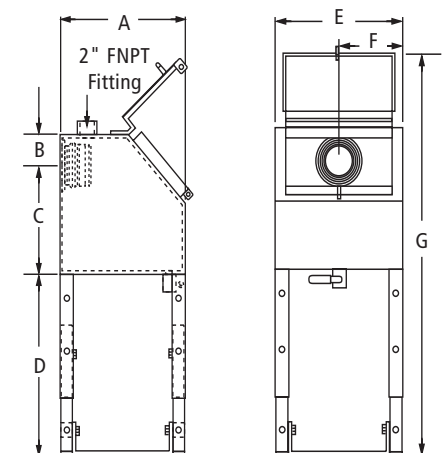
Note: an item must be selected for each column.

### Dimensions

	15 Gallon		20 Gallon		30 Gallon	
	Weight 91 lbs. (41 kg)		Weight 135 lbs. (61 kg)		Weight 175 lbs. (79 kg)	
	in.	cm	in.	cm	in.	cm
A	18¼	46	24	61	21	53
B	7⅞	19	7½	19	10½	27
C	13⅝	35	16½	42	16½	42
D	16½ to 30	42 to 76	16½ to 30	42 to 76	16½ to 30	42 to 76
E	18¼	46	24	61	34	86
F	9⅞	23	12	30½	9½	24
G	47 to 60½	119 to 154	56½ to 80	144 to 203	56½ to 80	144 to 203

### POMECO/OPW 211-Remote-Fill Above Ground Storage Tank Spill Containers

POMECO/OPW Remote-Fill AST Spill Containers are designed to prevent spilled product from entering soil near the remote, horizontal-fill and vapor return connections on an above ground storage tank during normal tank filling operation. The spill containers catch spillage to help prevent soil contamination and groundwater pollution. POMECO/OPW Remote-Fill AST Spill Containers slip on the remote-fill and vapor return piping connected to an above ground tank. Compatible with methanol, ethanol, jet and AV-Gas fuels.



### Replacement Parts

Part #	Description
201758	4 x 2 Reducer Insert
201759	4 x 3 Reducer Insert
PBOOT	Nitrile (Fuel-Resistant) Boot
H14228M	Band Clamp for PBOOT
202312	Aluminum Flange
21BV-0075	Fullport ¾"
6211R-15-LegKit	Leg Kit - 15 Gal.
6211R-20-LegKit	Leg Kit - 20 Gal.
6211R-30-LegKit	Leg Kit - 30 Gal.
PC04427	Brass Drain Valve

211R Instruction Sheet Order Number: **H15857PA**