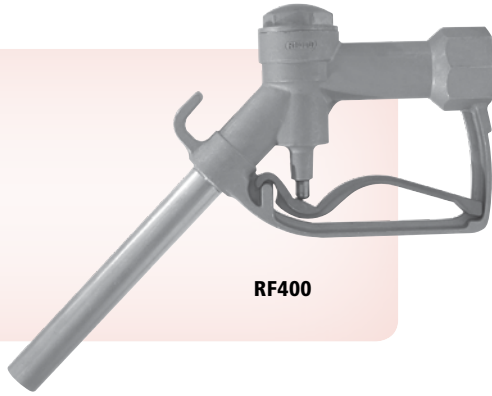


Materials

- Body:** Aluminum
- Main Stem:** Brass
- Main Poppet Disc:** Viton®
- Spout:** Aluminum
- Weight:** 0.5 lbs, 0.23 kg



Features

- ◆ UL listed for use in gasoline, diesel and up to 10% ethanol blends. Specific listings available at www.opwglobal.com
- ◆ Manual Nozzle – no automatic shut-off.
- ◆ Built in hanger for quick use in field.

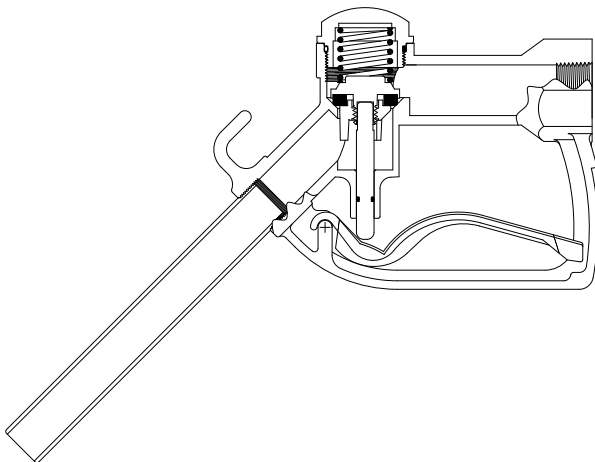
Design working pressure

- ◆ 50 psi (3.45 bar) maximum pressure

Ordering Specifications

Product #	Description	Inlet Thread		Spout Diameter	
		in.	mm	in.	mm
RF400-75	3/4", leaded spout	3/4	19	15/16	23
RF400-75P	3/4", unleaded spout	3/4	19	13/16	20
RF400-10	1", leaded spout	1	25	15/16	23
RF400-10P	1", unleaded spout	1	25	13/16	20

296CA-4000 X



OPW RF400 Manual Utility Farm Nozzle

For General Utility Farm Usage

The OPW RF400 nozzle is designed for use in non retail, commercial, industrial and agriculture use where an automatic nozzle is not needed.

