



Dispenser Pan Fittings and Accessories

FlexWorks Dispenser Pan fittings are installed in the bottom of FlexWorks Dispenser Pans to accommodate Pipe and Flex Connector Entries. "The FIT-3530 is used to isolate and contain Flex Connectors".

Ordering Specifications - Dispenser Pan Fittings & Accessories

Model	Application	Nominal Boot I.D.		Hole Saw Required	Weight	
		in.	cm		lbs.	kg
PEF-3520R	Pan Entry Fitting, 2" (5 cm) FRP Pipe Entry	2 ^{3/8}	6	3" (8 cm)	2.5	1
PEF-3515R	Pan Entry Fitting, 1.5" (4 cm) Pipe Entry	2	5	3" (8 cm)	2.5	1
PEF-3515X	Pan Entry Fitting, 1.5" (4 cm) Flex Connector (Hex Seal)	2 (Hex)	5	3" (8 cm)	2.5	1
FIT-3530	Flexible Isolation Jacket, 30" (76 cm) Long x 3.5" (9 cm) I.D.				2	1
ITR-3015	Isolation Tube Reducer, 3" x 1.5"				1	.5
ITR-3020	Isolation Tube Reducer, 3" x 2"				1	.5

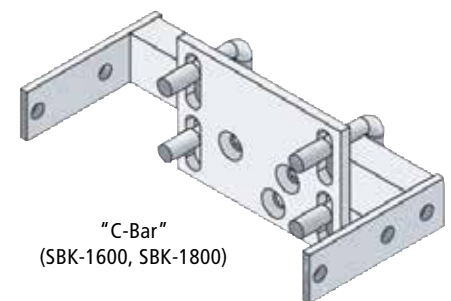
Dispenser Sump Accessories

FlexWorks pipe Stabilizer Bar Kits provide reliable support inside dispenser sumps/pans for boss-mounted emergency shear valves. One kit is required for each emergency valve and vapor shear valve.

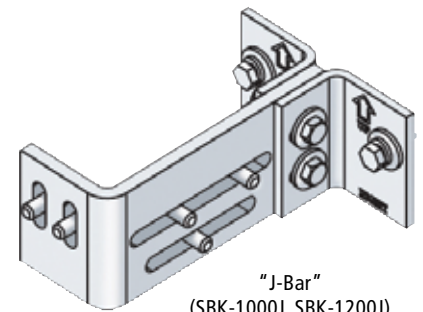
Ordering Specifications - Stabilizer Bar Kit

Model #	0 (for Sump/Pan) DS-, DSW, DSF, FDS	Weight	
		lbs.	kg
SBK-1000J	1036	5	2.3
SBK-1100J	1117F, 1123, 1123F, 1120	5	2.3
SBK-1200J	1229, 1242	6	2.8
SBK-1500	Ovation Product Line (DS-1543A, DSW-1543, DSF-1543, 1543C, DS-1928)	7	3
SBK-1500V	Ovation Vapor Line (DSW-1543, DS1543A, DSF-1543, 1543C)	7	3
SBK-1600	1630, 1642	7	3
SBK-1700	DSF-1741C	7	3
SBK-1800	1836, FDS-4021	7	3
SBO-0250	Ovation FDS-4319	6	2.8
SBO-0300	FDS-4319-DW	6	2.8
SBO-0700	FDS-4021-DW	6	2.8
MPK-10*	Extra Mounting Plate Kit	2	1
C04400M	Stabilizer Bar Mounting Plate Only under the MPK-10*		

* Stabilizer bar is installed widthwise in dispenser sump. One valve mounting plate is included. Additional MPK-10 mounting plate kit is required for additional valves.



"C-Bar"
(SBK-1600, SBK-1800)



"J-Bar"
(SBK-1000J, SBK-1200J)