

OPW Monitoring Well/Pipe/ Probe Caps

Monitoring Probe Caps are installed on tank riser pipes to help prevent vapors from escaping or water from entering the tank. Monitoring Probe Caps include a wire grommet fitting to accommodate the electronic tank gauge probe.

OPW 62M Monitor Probe Cap & Adaptor Kit

The 62M Monitoring Probe & Adaptor Kit includes a 4" side-sealing adaptor, 4" side-sealing cap (tapped), and a 3/8" or 1/2" wire grommet to secure the cable from an electronic tank gauge probe in the tank riser pipe. A bracket, located on the underside of the cap, is provided to install a tension wire to relieve strain on probe cables. The 62M is gasketed to seal against water and debris entering, or vapors from escaping the tank. The cap includes provisions for a padlock to secure entry.

OPW 116M

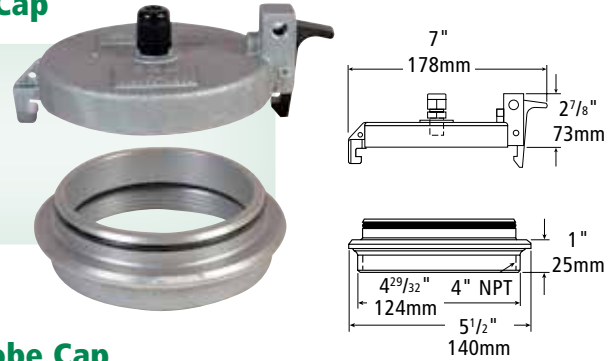
The OPW 116M Monitor Probe Cap is a standard 116 4" threaded pipe cap, drilled and tapped to accept a 3/8" or 1/2" wire grommet to secure an electronic tank gauge probe in a tank riser pipe. The 116M is gasketed for vapor and watertight service.

OPW 116

The OPW 116 Pipe Cap threads onto 4" riser pipes and provides access to ball float extractor fittings and underground storage tank bung openings. The 116 is constructed of composite Duratuff® to prevent rusting or corroding of steel riser pipes.

62M Monitor Probe Cap

- Body: Cast aluminum
- Cap: Cast aluminum
- Seals: Nitrile
- Latch: Duratuff®



62M-MA Monitor Probe Cap

- Body: Anodized aluminum
- Cap: Anodized aluminum
- E85 EVR Approved



Ordering Specifications

Product #	Body	Cap	Grommet		Riser Thread		lbs.		kg	
			in.	mm	in.	mm				
62M-0375	Alum.	Alum.	3/8	9.5	4	102	1.3	.59		Accepts .069" - .178" diameter wire
62M-0500	Alum.	Alum.	1/2	13	4	102	1.3	.59		Accepts .170" - .470" diameter wire
62M-MA	Nickel	Nickel	3/8	9.5	4	102	1.3	.59		Accepts .170" - .470" diameter wire
201478	Alum.	Alum.	N/A	N/A	4	102	1.3	.59		No Grommet

Materials



116M Cap

OPW 116M

- Body: 4" Duratuff®
- Cross bar: Zinc-plated steel



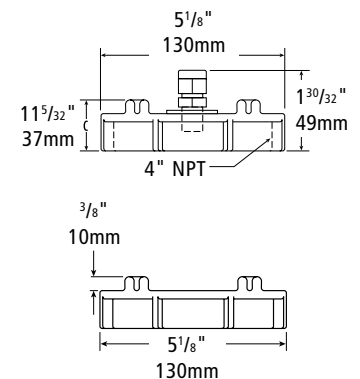
OPW 116

- Body: 4" Duratuff®
- Seal: Nitrile
- 116-7085

Ordering Specifications

OPW 116M

Product #	Description	Riser Thread	lbs.	kg
116M-0375	3/8" grommet	4" (102mm)	.45	.2
	Accepts .069" - .178" diameter wire			
116M-0500	1/2" grommet	4" (102mm)	.45	.2
	Accepts .170" - .470" diameter wire			
H11199M	Replacement Gasket			
OPW 116				
116-7085			.40	.18



62M Series Instruction Sheet Order Number: H14491PA