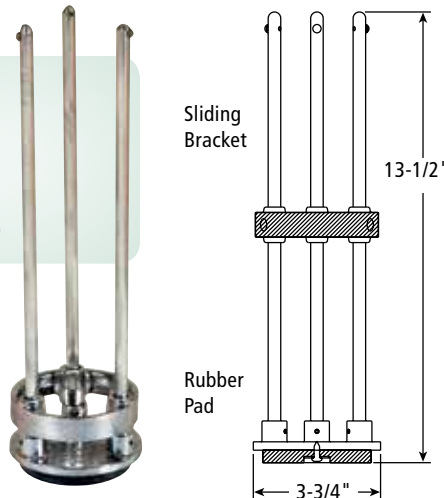


Materials

Aluminum and stainless steel components.

Viton Base Pad

6111-1400



Features

- ◆ **Viton® Base Pad** – ensures compatibility with current fuel formulations and absorbs impact of wooden gauge sticks to protect the bottom of the tank from punctures.
- ◆ **Corrosion-Resistant** – aluminum and stainless steel components provide for a long service life.
- ◆ **Unencumbered Vertical Movement** – assures the pad rests on the bottom of the tank and absorbs shock evenly.
- ◆ **CARB Approved** – approval Letter #98-12.
- ◆ **EVR Approved**

Ordering Specifications

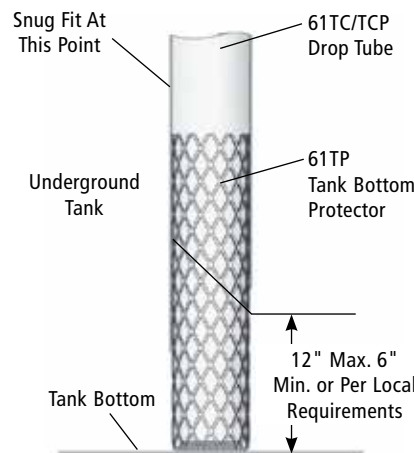
Product #	Height		Diameter		Weight	
	in.	mm	in.	mm	lbs.	kg
6111-1400	13 1/2	333	3 3/4	96	3	1.4

Features

- ◆ **Zinc-Plated Steel Cage** – ensures corrosion resistance for a long service life.
- ◆ **Mesh Screen Design** – helps prevent debris or other foreign matter from obstructing the submersible pump or suction line foot valve.

Ordering Specifications

Product #	Height		Weight	
	in.	mm	lbs.	kg
61TP-2398	4	102	1.02	.46



OPW Tank Bottom Protectors

OPW Tank Bottom Protectors are installed at the bottom of overflow prevention valves or drop tubes to help prevent the underground storage tank from damage or leakage at the fill point due to manual tank gauging with wooden sticks and erosion from dirt or debris.

OPW 6111-1400 Tank Bottom Protector

The OPW 6111-1400 incorporates a sliding bracket that is pop-riveted to the bottom of the drop tube. This secures the tank bottom protector to the drop tube for easy, reliable installation and removal for servicing the tank.

OPW 61TP Tank Bottom Protector

The OPW 61TP is a flanged, mesh screen design that slides to the bottom of the drop tube. The 61TP is held in place by the flanged spring action of the mesh screen. The mesh screen helps keep debris or other foreign matter from obstructing the submersible pump or suction line foot valve.

6111-1400 Tank Bottom Protector Instruction Sheet
Order Number: **H14977PA**