

OPW 60VS Series Vapor Line Shear Valves

OPW 60 Series Vapor Line Shear Valves are installed on vapor return lines beneath dispensers at grade level to minimize hazards associated with collision or fire at the dispenser. If the dispenser is pulled over or dislodged by collision, the top of the valve breaks free at the integral shear groove to minimize damage to the dispenser piping. Poppeted models afford additional protection by preventing the release of vapors from the dispenser's internal piping and the vapor line to the tank. The base of the Vapor Line Shear Valve is securely anchored to the concrete dispenser island through a stabilizer bar system within the dispenser sump or pan while the valve top is secured to the dispenser structure to ensure proper shearing action. OPW Vapor Line Shear Valves are designed to meet the requirements of NFPA-30A Section 4-3.7. Poppeted models are UL and CARB-approved.

60VS Instruction Sheet
Order Number: **H12291M**

Materials

Body: Cast iron with black Duragard® E-Coating

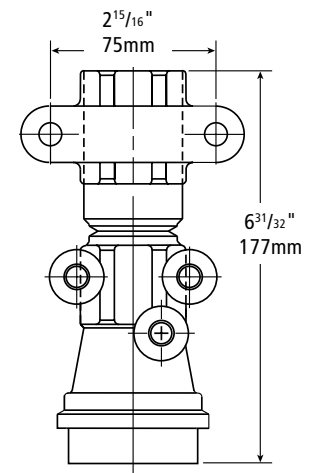
Discs: M -19 Viton®

60VSPC-1001



Features

- ◆ 1-1/2" female connection to underground piping.
- ◆ 1" female connection to dispenser piping.
- ◆ Air-test port to enable vapor line testing without breaking pipe connections.
- ◆ Choice of top or side inlet connection.
- ◆ Three-Point Boss Mount stabilizer bar lower mounting connection; U-Bolt upper mounting connection.



Ordering Specifications

Product #	Connections	Poppeted	Containment Threads
60VS-1000	1" x 1 1/2" (3 x 4 cm) FNPT		
60VSP-1001	1" x 1 1/2" (3 x 4 cm) FNPT	•	
60VSPC-1001	1" x 1 1/2" (3 x 4 cm) FNPT	•	•
60VSK-1002	Mounting Kit Includes: (2) Lockwashers, (2) Nuts, (3) Hex Screws, (3) Washers		

Listings and Certifications

