

Materials

Body: Cast iron with black Duragard® E-coating

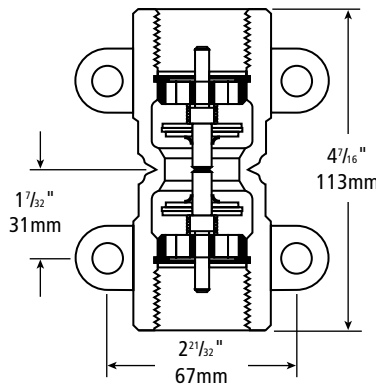
Discs: M-19 Viton®

60VP-1001



Features

- ◆ **1" Female Connection to Both Dispenser and Underground Piping**
- ◆ **Multiple Mounting Methods** – mounting Boss accepts either U-Bolt or Straight Bolt mounting kits.
- ◆ **Duragard® E-Coat Finish** – provides superior corrosion resistance.



Ordering Specifications

Product #	Connections	Poppeted
60V-1000	1" x 1" (3 x 3 cm) FNPT	
60VP-1001	1" x 1" (3 x 3 cm) FNPT	•
60VK-1002	U-Bolt Mounting Kit Includes: (2) 3/8" (9.5 mm) U-bolts, (4) washers, (4) nuts	
60VK-1003	Straight Bolt Mounting Kit Includes: (4) 3/8" (9.5 mm) 16 bolts, (4) washers, (4) nuts	

OPW 60VS-1000 Line Saver

- ◆ Shear section breaks on impact to minimize damage to underground piping.


OPW 60V-1000 Line Saver

- ◆ Shear section breaks on impact to minimize damage to underground piping.

OPW 60V Series Vapor Line Shear Valves


OPW 60VP-1001

Poppeted Vapor Save

- ◆ Double-poppeted design incorporated to help prevent vapor loss in the event dispenser is toppled
- ◆ CARB approved
- ◆ UL-listed 

OPW 60VSP-1001

Poppeted Vapor Saver

- ◆ Double-poppeted design incorporated to help prevent vapor loss in the event the dispenser is toppled
- ◆ CARB approved
- ◆ UL listed 
- ◆ 60VSPC-1001 features additional external threads on valve outlet for connection to a secondary containment system

60V Instruction Sheet
Order Number: **H12133M**