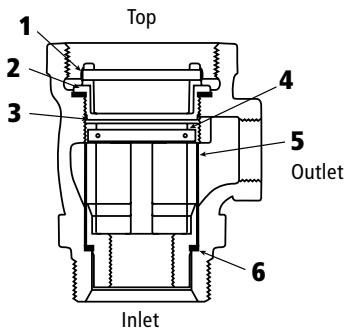


OPW 233E Suction Tube Extractor Fittings

The OPW 233E is installed on top of fuel storage tanks to facilitate the extraction of the suction tube/foot valve assembly from the tank in a suction system. The OPW 233E is for use with any foot valve with a maximum outside diameter of 2 1/2", and has a 4" male thread for connection to a 4" tank bung fitting.



Materials

Body: Zinc-plated cast iron
Cap and suction stub adaptor: Bronze
Gasket: Nitrile



233E

Ordering Specifications

Model #	Top Thread	Outlet Thread	Inlet Male Thread	Inlet Female Thread	Max. Clear I.D. Through Valve	Weight lbs.	kg
233E-4040	4" (102 mm)	1 1/2" (38 mm)	4" (102 mm)	1 1/2" (38 mm)	2 7/8" (73 mm)	20.2	9.2
233E-4240	4" (102 mm)	2" (51 mm)	4" (102 mm)	1 1/2" (38 mm)	2 7/8" (73 mm)	12.7	5.8

Replacement Parts

Key	Part #	Description
1	H07071M	Cap Lift Pin
Not Shown	H04981M	Cotter Pin
2	H11961M	Gasket
3	H01500B	Cap
4	H00390RS	Cage Lift Pin
5	C01566B	Cage
6	H11960M	Gasket

OPW 53 Bushings

OPW 53 Bushings are general-purpose bushings for use on tank vent lines, fill lines, suction lines or other lines where it is necessary or desirable to bush up or bush down.

Materials

Bushing: Iron

53



Ordering Specifications

Model #	Threads	lbs.	kg
	(MNPT x FNPT)		
53-0012	2" x 1 1/2" (51 x 38 mm)	.9	.4
53-0020	3" x 2" (76 x 51 mm)	1.9	.9
53-0034	4" x 1 1/2" (102 x 38 mm)	2.5	1.1
53-0036	4" x 2" (102 x 51 mm)	2.5	1.1
53-0038	4" x 3" (102 x 76 mm)	3.4	1.5
53-0062	6" MNPT x 2" FNPT (152 x 51 mm)	4.75	2
53-0063	6" MNPT x 2" FNPT (152 x 51 mm)	4.75	2
PDT-411	4" x 1" x 1" Double Top Bushing	12	5