

OPW 1SC-2100-EVR Series Sealable Cover Spill Containers

OPW Spill Containment Manholes are designed to prevent spilled product from entering the soil near the fill and vapor return riser connections on underground storage tanks during normal tank filling operation, or in the event of tank overflow. The spill containers catch spillage to help prevent soil contamination and groundwater pollution. The OPW 1SC-2100-EVR Series Sealable Cover Spill Containers are designed to eliminate the problems associated with water entering grade level spill containers. The operation of the cover is similar to that of a "plumbers plug." When the lever is latched down, the plates are drawn together, expanding the seal against the machined mounting ring wall. The 1SC-2100-EVR spill containers are ideal for areas with a high water table, areas subject to tropical rain and standing water, and cold regions where melting snow and road salt can enter standard spill containers.

Materials

- Cover:** Cast aluminum
- Cover Seal:** Low swell nitrile
- Lever:** Bronze
- Mounting Ring:** Teflon® plasma-coated cast iron
- Bellows:** Polyethylene
- Base:** Duratuff® II or cast iron E-coating
- Clamps:** Stainless steel
- Seals:** Low swell nitrile



Lid Features

- ◆ **Simple "Plumbers Plug" Operation** – cover seal is expanded against mounting ring wall.
- ◆ **Vertical Sealing Surface** – prevents gravel and debris from damaging or interfering with the cover seal.
- ◆ **Machined Sealing Surface** – ensures watertight seal. Teflon coated stainless steel.
- ◆ **Field Replaceable Seal** – designed for all-weather performance.
- ◆ **Clear Anodized Aluminum Top Plate** – deters cover theft.
- ◆ **Potted Hinge Mechanism** – prevents ice and debris from hindering lever operation.

Additional Features

- ◆ **Product Identification Tags** – available for both the spill container cover and bucket to positively identify the product contained in the UST with standard API symbols. (See product I.D. tag specification page for more information: page 82.)
- ◆ **Capacities** – 5 and 15-gallon
- ◆ **Fuel Compatibility** – designed to accommodate all fuels, including methanol, ethanol and MTBE.
- ◆ **Highway 20 Rated (H20)** – all OPW spill containers and manholes exceed the requirements of the Highway 20 rating.

Listings and Certifications



Look for this label for authentic OPW EVR Approved products.

Ordering Specifications

Plug or Drain Valve Models

Model	Gal.	Liter	Base	Drain Valve or Drain Plug	Cover	lbs.	kg
1SC-2100-DEVR	5	19	Composite	Drain Valve	Aluminum	47	21
1SC-2115-DEVR	15	57	Composite	Drain Valve	Aluminum	47	21
1SC-2100-PEVR	5	19	Composite	Drain Plug	Aluminum	47	21
1SC-2115-PEVR	15	57	Composite	Drain Plug	Aluminum	47	21
1SC-2100C-DEVR	5	19	Cast Iron	Drain Valve	Aluminum	53	24
1SC-2115C-DEVR	15	57	Cast Iron	Drain Valve	Aluminum	53	24
1SC-2100C-PEVR	5	19	Cast Iron	Drain Plug	Aluminum	53	24
1SC-2115C-PEVR	15	57	Cast Iron	Drain Plug	Aluminum	53	24

Dimensions

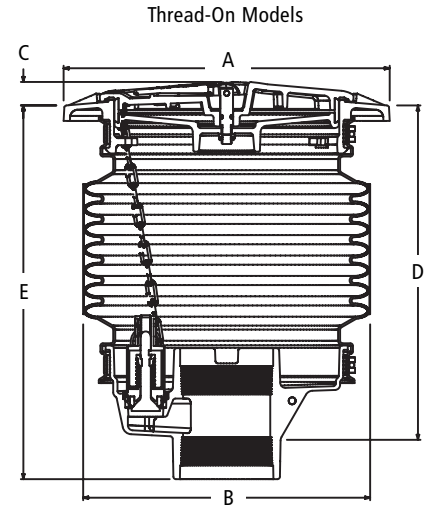
Slip-On Models (see drawing on right)

	1SC-2105		1SC-2155	
	in.	cm	in.	cm
A	16	41	16 ⁷ / ₃₂	41
B	14	36	22	56
C	1 ⁵ / ₃₂	3	1 ⁵ / ₃₂	3
D*	10 ¹ / ₁₆	26	14 ¹ / ₈	36
E*	17	43	21	53

*Subtract 2" from "E" dimension for Cast Iron Base Models.

Thread-On Models (see drawing on right)

	1SC-2100		1SC-2115	
	in.	cm	in.	cm
A	16	40	16 ⁷ / ₃₂	41
B	14 ¹ / ₁₆	36	22	56
C	1 ⁵ / ₃₂	3	1 ⁵ / ₃₂	3
D	16 ³ / ₈	42	20 ¹ / ₂	52
E*	18 ⁵ / ₁₆	47	22 ¹ / ₂	57



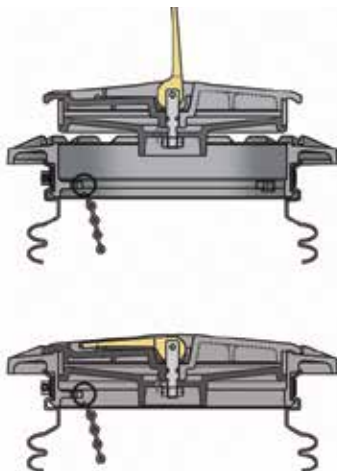
Replacement Parts

Part #	Description
SC-PLAIN	Replacement Cover
H13931M	Cover Gasket
C04101B	Bronze Lever Arm
D01874M	Lower Plate
C04141M	Rubber Insert
H12927M	Adjustment Nut
1SC-TOOL	Optional Easy Opening Tool
1DK-2100-EVR	Drain Valve Kit

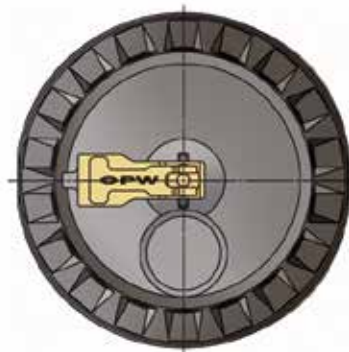
4" Threaded Nipples for Mating Spill Bucket to Adaptor

Part #	Description
TC-400	4" Torque Cap
H15144M	4" NPT Nipple, 4" Length
H12806M	4" NPT Nipple, 5" Length
VPN4X7	4" NPT Nipple, 7" Length
H15271M	4" NPT Nipple, 8" Length
H15268M	4" NPT Nipple, 10" Length

Sealable Cover Operation



Lid in Closed Position



1DK-2100 Drain Valve Kit
Instruction Sheet Order
Number: H11471M

