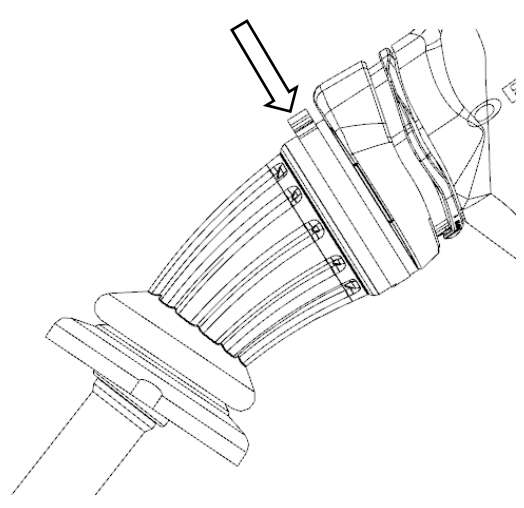
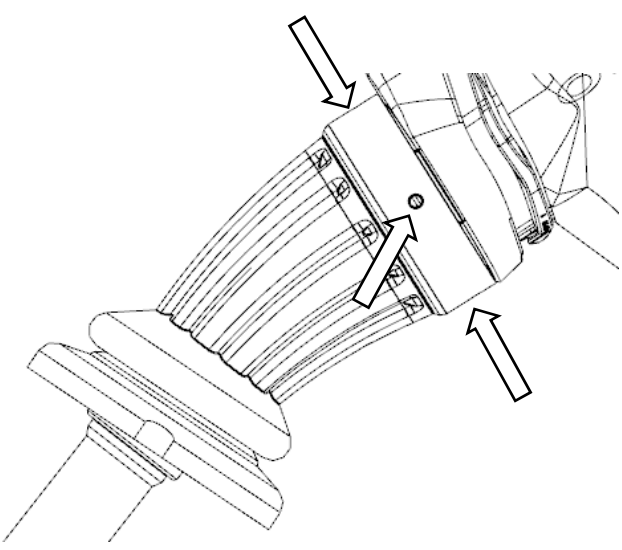


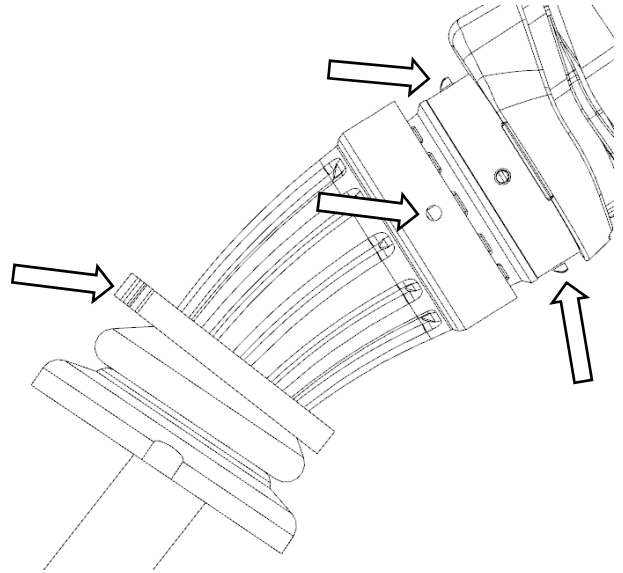
OPW 14E ACTUATOR REPLACEMENT INSTRUCTIONS

If the actuator on your OPW 14E nozzle has been damaged or requires replacement, please use the following procedure for proper removal and replacement.

<p>STEP 1</p> <p>1. Remove the splash guard by cutting the clamp with aviation snips or other non-sparking tools.</p>	
<p>STEP 2</p> <p>2. Remove the actuator cover from the four holding posts. A flat head screw driver may be used to assist in the removal if used carefully. Use caution to not damage the holding posts.</p>	

STEP 3

3. Place the new clamp onto the new actuator as shown. Then slide the actuator over the spout and onto the four holding posts



STEP 4

4. Orient the clamp with the ears to the top of the nozzle and over the four holes in the actuator as shown. Using jaw pliers, crimp the clamp securely in place.

