



## Materials

**Body:** Aluminum

**Internal Components:** Brass and steel

**Seals:** Specially formulated polymers and elastomers specific to LPG applications.

**External Components:** Brass, stainless steel, anodized aluminum

OT321



OTA-300A



## Features

### ◆ User-Friendly Single-Action

**Operation** - entire fueling operation is initiated by simply engaging nozzle to the receptacle with a single squeeze of the hand.

◆ **Hammer-Lock Technology** - maximum durability. Designed specifically for frequent coupling and uncoupling.

◆ **Ergonomic Design** - insulated handle protects operator from temperature effects created by high-flowing LP gas. Minimal force required to engage nozzle.

◆ **Durable Construction** - heavy-duty brass, aluminum and stainless steel construction provides excellent corrosion resistance in the harsh fueling environment.

◆ **Ease of Use** - incorporates a single plane 360° inlet swivel.

◆ **Safety** - will not dispense gas until securely engaged onto an appropriate receptacle. Once engaged, will not disengage until released by operator.

◆ **Individually Leak Tested and Inspected with Traceable Serial Numbers**

◆ **Replaceable Rubber Cover** - deflects venting LP gas away from operator's hand.

## Specifications:

MAWP: 350 psi (24 bar)

LPG Discharge on Disconnect: Less than 1 cm<sup>3</sup>

Locking Release: Trigger or Lever

Coupling Style: Italian Style

Temperature Range: -40° F to 185° F  
(-40° C to 85° C)

## Autogas OT300 and OTA-300A Series LPG Nozzle

The OPW Autogas OTA-300 and OTA-300A are designed for the Italian-Type coupling. Nozzle inlet has 1" BSPP threads.

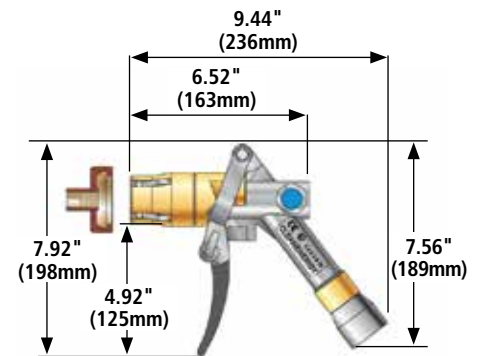
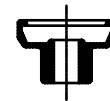
The OTA-300A Series Nozzle features:

- ◆ Stainless Steel pistons for improved durability
- ◆ Reduced volume of residual vent gas for improved environmental performance.

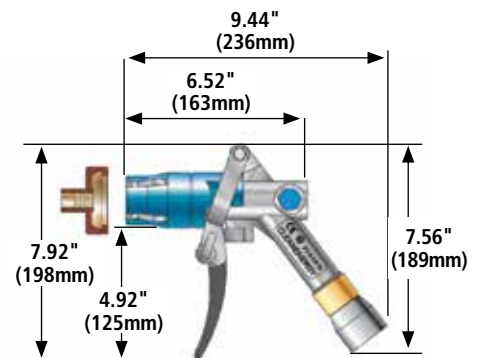


OT420 Rubber Cover

OTA-300A connects to Italian Dish Coupler (Shown Below)



OTA-300BA



OTA-300A

## Ordering Specifications

Product #	Inlet Thread Size	Service Pressure		Weight
OT300	1" BSPP	350 psi	24 bar	3.08 lbs. (1.40 kg)
OT300BRASS	1" BSPP	350 psi	24 bar	
OTA-300A	1" BSPP	350 psi	24 bar	
OTA-300BA (Brass)	1" BSPP	350 psi	24 bar	
OT321	3/4" - 14 BSPP Female x 1" - 11 BSPP Male			
OT420	Replaceable Rubber Cover			

All LPG Autogas nozzles are available in BSPP threads.