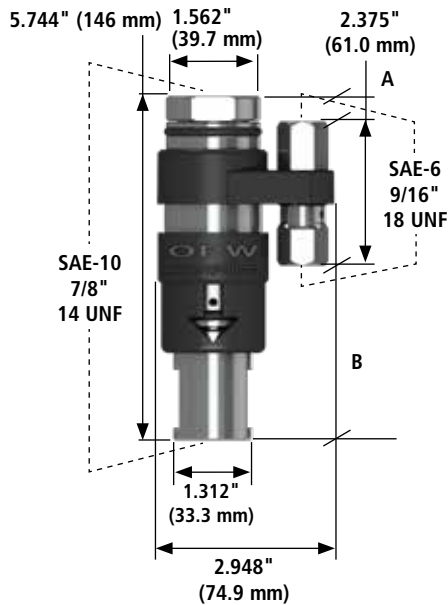


Fill-Line Breakaway (FLB-5000) - Heavy-Duty Truck/Bus

OPW has optimized the in-line breakaway for use in heavy-duty truck and bus NGV refueling applications. This unit will function consistently, independent of the inlet pressure.

Specifications:

Max Flow Rate: 7,500 SCFM @ 3,600 psid
 Temperature Range: -40° F to 185° F
 (-40° C to 85° C)
 Cv: 3.91
 MAWP: 4,532 psi (312.5 Bar)



A Offset = 0.429" (10.9mm)
 B Offset = 2.917" (74.1mm)

Materials

- Body:** Stainless steel
- Internal Components:** Stainless steel
- Seals:** Specially formulated polyurethane seals to withstand high pressure NGV applications

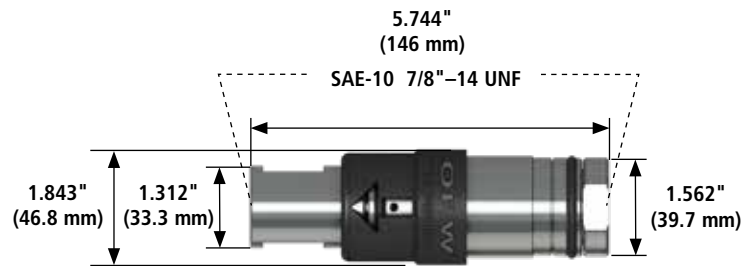


Features

- ◆ **High-Flow/Fast Fill Capacity** - this is OPW's fastest flowing breakaway. This breakaway will provide quick fueling of large vehicles.
- ◆ **Durable, Corrosion-Resistant Construction** - stainless steel construction to provide improved durability and corrosion resistance in harsh environments.
- ◆ **Reconnectable Design** - allows the component to be reused, reducing total cost of ownership
- ◆ **Innovative Valve System** - the sealing system in this breakaway minimizes the amount of vent gas released during a drive-away incident.
- ◆ **Reduced Size and Weight** - to allow for more applications where size may be a concern.
- ◆ **Easy Installation** - the in-line breakaway has SAE-10 O-ring fittings for easy installation in line between the dispenser and nozzle.
- ◆ **Disconnection Force** - 120 +/- 30 lbs. (534 +/- 134 N).
- ◆ **100% Leak and Breakaway Tested, with Traceable Serial Numbers**

Ordering Specifications

| Product # | Inlet Thread Size | Outlet Thread Size | Service Pressure | Weight |
|--|---|---|-------------------|-----------------|
| FLB-5000 | SAE - 10, 7/8" - 14 UNF (female) | SAE - 10, 7/8" - 14 UNF (female) | 3,600 psi 250 bar | 2 lb (0.907 kg) |
| CNGBREAKKIT-5000 (Includes FLB-5000 and NGVLB Breakaway) | FLB-5000 SAE - 10, 7/8" - 14 UNF (female) | FLB-5000 SAE - 10, 7/8" - 14 UNF (female) | 3,600 psi 250 bar | 2.22 lb (1 kg) |
| | NGVLB SAE - 6, 9/16" - 18 UNF | NGVLB SAE - 6, 9/16" - 18 UNF | 3,600 psi 250 bar | |



FLB-5000 Dimensions

Listings and Certifications



NGV 4.4

PED 2014/68/EU

CE 0036

CRN

See page 23 for Canadian Registration Number

Canadian Registration Numbers by Province

| Canadian Registration Numbers OPW CleanEnergy Products | British Columbia | Alberta | Ontario | Quebec | Saskatchewan | Manitoba | Nova Scotia | New Brunswick |
|--|------------------|------------|------------|------------|--------------|------------|----------------|----------------|
| NT2A series | 0C21049.21 | 0C21049.2 | 0C21049.25 | 0C21049.26 | 0C21049.23 | 0C21049 | 0C21049.29 | 0C21049.29 |
| CT1000 series | 0H18834.21 | 0H18834.2 | 0H18834.25 | 0H18834.26 | 0H18834.23 | 0H18834.24 | 0H18834.28ADD1 | 0H18834.27ADD1 |
| CT5000 | 0H15417.51 | 0H18834.2 | 0H15417.5 | 0H15417.56 | 0H15417.56 | 0H15417.54 | 0H15417.58ADD1 | 0H18834.27 |
| CC600 series | 0H18834.21 | 0H18834.2 | 0H18834.25 | 0H18834.26 | 0H18834.23 | 0H18834.24 | 0H18834.28ADD1 | 0H18834.27ADD1 |
| ILB-1 | 0H18834.21 | 0H18834.2 | 0H18834.25 | 0H18834.26 | 0H18834.23 | 0H18834.24 | 0H18834.28ADD1 | 0H18834.27ADD1 |
| ILB-5 | 0H15417.51 | 0H15417.52 | 0H15417.5 | 0H15417.56 | 0H15417.56 | 0H15417.56 | Pending | Pending |
| VLB | 0H13989.51 | 0H13989.52 | 0H13989.5 | 0H13989.56 | 0H13989.56 | 0H13989.56 | Pending | Pending |
| FLB-1000 | 0H17341.51 | 0H17341.52 | 0H17341.5 | 0H17341.56 | 0H17341.56 | 0H17341.56 | 0H17341.5987 | 0H17341.5987 |
| FLB-5000 | 0H17341.51 | 0H17341.52 | 0H17341.5 | 0H17341.56 | 0H17341.56 | 0H17341.56 | 0H17341.5987 | 0H17341.5987 |
| NGVLB | 0H17341.51 | 0H17341.52 | 0H17341.5 | 0H17341.56 | 0H17341.56 | 0H17341.56 | 0H17341.5987 | 0H17341.5987 |
| BDN | Pending | 0H17140.21 | 0H17140.25 | 0H17190.26 | Pending | 0H17140.24 | Pending | Pending |

TUV Approved

- ◆ NT2A series nozzles
- ◆ CT1000 series nozzles
- ◆ CT5000 series nozzles
- ◆ CC 6000 series nozzles
- ◆ ILB series breakaways
- ◆ FLB series breakaways
- ◆ NGVLB series breakaways
- ◆ LB, LD, LE series receptacles
- ◆ CL series receptacles