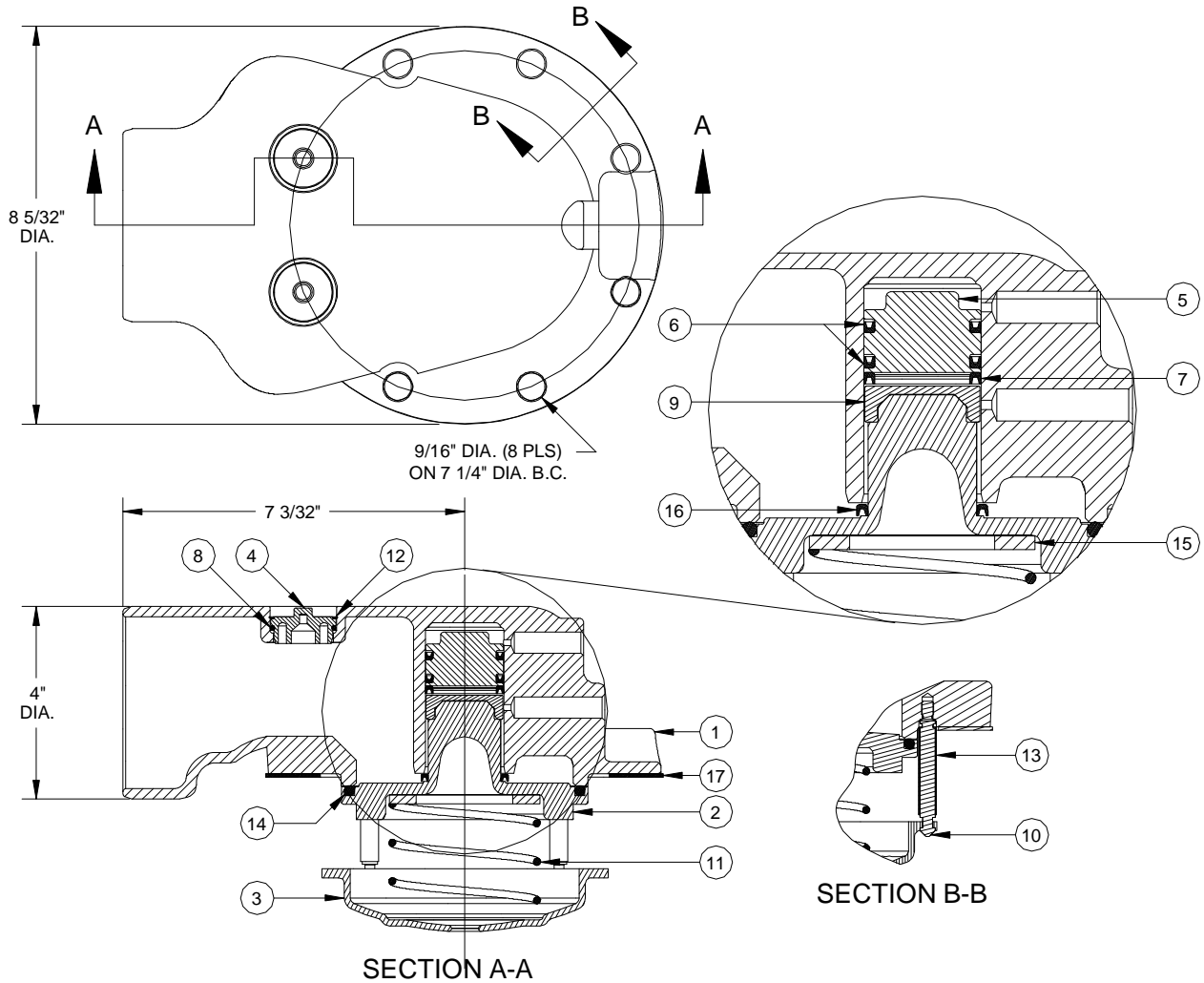




# 1998 4" Sequential Vapor Vent

PARTS BREAK DOWN



ITEM	PART NUMBER	DESCRIPTION	QTY.
1	E51630A	BODY	1
2	E51633A	POPPET	1
3	D51637A	DEFLECTOR	1
4	H20516M	PLUG	2
5	D51631RP	PISTON	1
6	H51624M <sup>1</sup>	SEAL, BUNA-N U-CUP	2
7	H51625M <sup>1</sup>	SEAL RING, TEFLON	1
8	H20249M <sup>1</sup>	O-RING, BUNA-N	2
9	H51734RP	ACETAL DISC	1
10	C51632RE	GUIDE ROD	4
11	H51628M	SPRING	1

ITEM	PART NUMBER	DESCRIPTION	QTY.
12	H20066M	RETAINING RING	2
13	H51693RP	TUBE, TEFLON	4
14	H51810M <sup>1</sup>	O-RING, VITON	1
15	9921	SPACER	1
16	9923 <sup>1</sup>	SEAL, BUNA-N U-CUP	1
17	H20572M <sup>1</sup>	GASKET, CORK/BUNA	1

REPAIR KITS	
1998RK	VAPOR VENT REPAIR KIT
9182	FLANGE ADAPTOR KIT (1993 VENT)

1 - Included in 1998RK