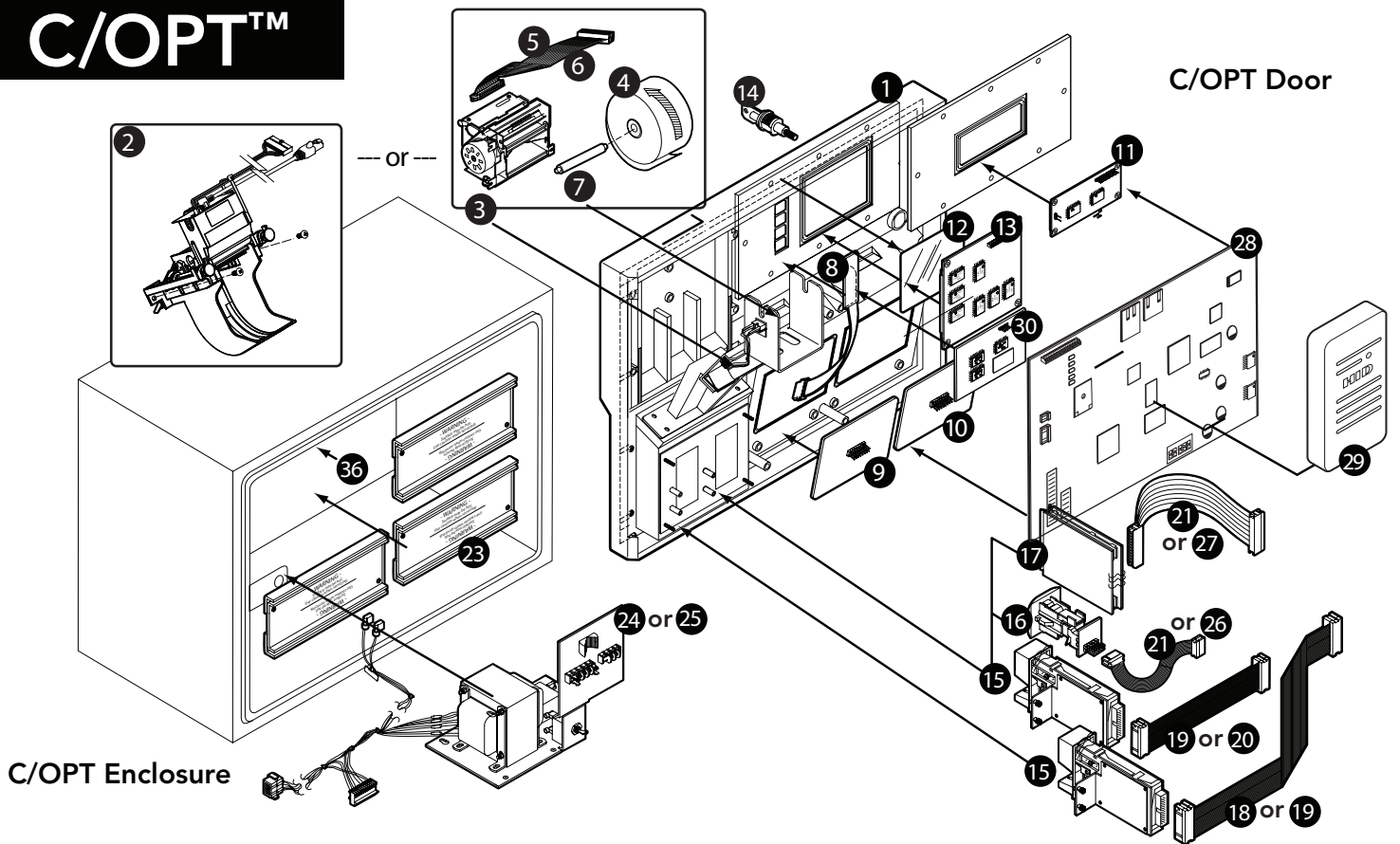


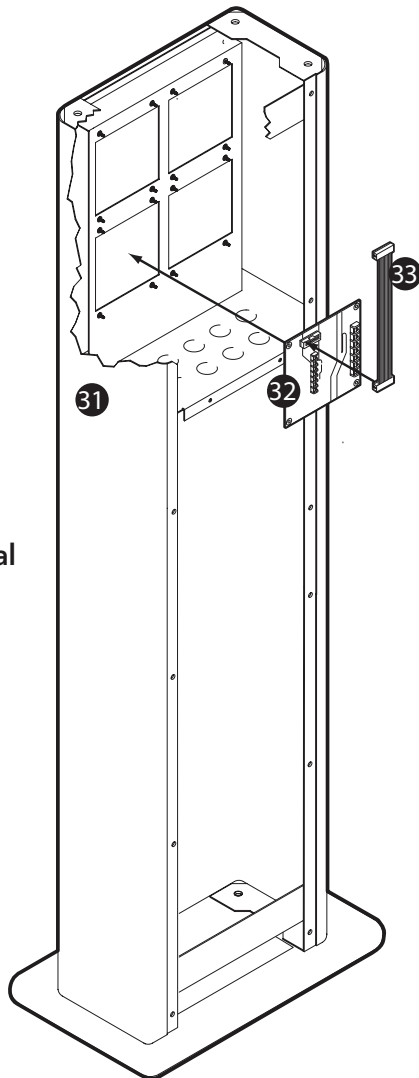
C/OPT™



C/OPT Enclosure

C/OPT Door

C/OPT Pedestal



C/OPT

1. C/OPT Door.....	52-1083
2. C/OPT Receipt Printer Replacement (C56).....	20-6203
----- or -----	
3. C/OPT Replacement Printer/Cutter.....	20-4219
4. C/OPT Thermal Receipt Printer Paper.....	54-1106
5. Printer Communications Cable (330 Board).....	20-1547
6. Printer Communications Cable (343 Board).....	20-1621
7. Receipt Paper Spindle.....	50-3086
8. Keypad C/OPT Function Key.....	20-4258
9. Alpha Keypad (4 x 7).....	20-4022
10. Numeric Keypad.....	20-4015
11. C/OPT Graphics Display Assembly.....	20-4223
12. Graphics Display Filter.....	50-3097
13. 2 x 20 Character Display.....	20-4240
14. Door Lock with 2 Keys.....	13-0034
15. Track 1 and 2 Magnetic Card Reader.....	20-4237-01
16. ChipKey- Reader.....	20-4117
17. KR16 Card Reader Assembly.....	R20-4050
18. Magnetic Reader Cable (Position 2) (330 Board).....	20-1541
19. Magnetic Reader Cable (Position 2) (343 Board).....	20-1624
20. Manual Magnetic Reader Cable (Position 1).....	20-1540
21. ChipKey Reader Cable (330 Board).....	20-1543
22. KR16 Cable (330 Board).....	20-1542
23. Heater Assembly.....	20-4224
24. C/OPT Power Supply Chassis (330 Board).....	20-4222
25. C/OPT Power Supply Chassis (343 Board).....	20-4284
26. ChipKey Reader Cable (343 Board).....	20-1625
27. KR16 Cable (343 Board).....	20-1623
28. C/OPT PV343 Controller Board (Spec SW Version).....	R20-0343-01
29. Power Supply Adpt. Board (For PV268 PCT Board).....	20-0364
30. C/OPT Prox Reader.....	75-3023
31. C/OPT Pedestal (For PV268 PCT Board).....	20-4145
32. PV270 System2 Pump Relay Board.....	R20-0270
33. PV268 to Relay Board Cable.....	20-1453
34. PCM Slave Board (Not Shown).....	R20-0340-02
35. PCM Slave Master Board (Not Shown) (Remote Cabinet).....	R20-0340-01
36. PV268 PCT Board.....	R20-0268