

Safety Breakaway Devices

SZ Series (Cable Release) Breakaway Coupling

Safer

The unique cable control is specifically designed to trigger separation, protecting against unintended pull-aways, protecting loading arms and hose lines from stress and spills.

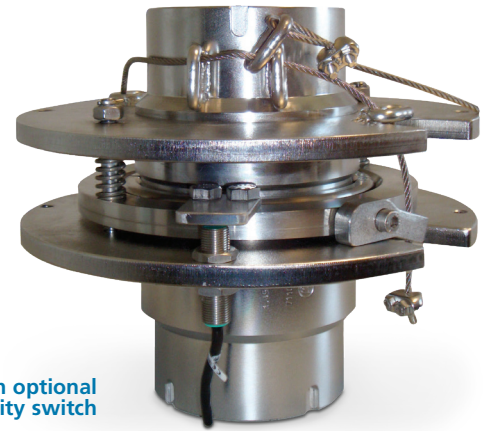
Cleaner

High-value fluid and gas transfer is protected by two non-return valves, positively shutting both ends instantly. This enables immediate separation, preventing product loss.

Faster

Immediate separation occurs at individually determined straight or angular pulling force. This non-destructive separation allows for easy reassembly.

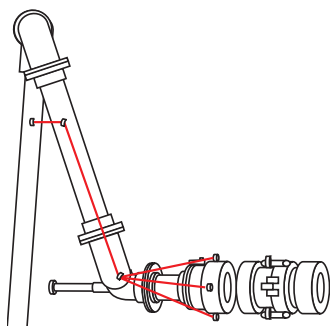
- Protect hoses and connection components
- Protect loading rack facilities and personnel
- Reconnectable
- For use with tank trucks, railcars, barges, or ships
- Proven track record, more than 25 years of reliability in the industry



Shown with optional proximity switch

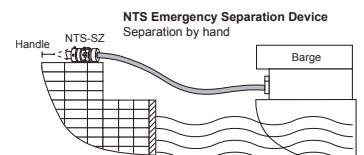
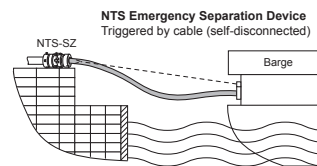
SPECIFICATIONS AND MATERIALS OF CONSTRUCTION

Connections	FNPT or Flange (150/300 ANSI)
Sizes	1", 2", 3", 4", 6"
Max. Pressure	150 to 360 psi
Materials	316 SST (others available upon request)
Seals	Fluorocarbon, EPDM, Chemraz®



SZ Series Breakaway Coupling Installation Example

When the line system is subjected to an unprecedented load, the levers swing out by the cable. The slide ring is displaced and the segments are released. Then the two body halves separate and the two spring-loaded valves immediately shut both hose ends.



SZ Loading Arm Marine Installation Example

Note: The length of the SZ cable must be shorter than the maximum movement of the loading arm hose in order to trigger the separation.

NTS* - SZ - T - A - 02 02

Breakaway
-316 Stainless Steel

Series
SZ = Cable Release
PU = Pull-Away

Connection
T = FNPT x FNPT
F = 150 lb RF x 150 lb RF
F3 = 300 lb RF x 300 lb RF
TTMA = TTMA x TTMA**

Material
A = Aluminum**
S = 316 Stainless Steel

Seals
02 = Fluorocarbon
04 = EPDM
06 = Chemraz®

Size
01 = 1"
02 = 2"
03 = 3"
04 = 4"
06 = 6"

* Other materials and seals upon request. Specifications and conditions may vary.
** Only available as NTS-PU in 4" size.



Safety Breakaway Devices

NTS-PU Series Breakaway (Pull-Away) Breakaway Coupling

Safer

Protect loading rack facilities, hoses, and personnel by preventing damage and spills during a pull-away incident.

Cleaner

High-value fluid and gas transfer is protected by two spring-loaded valves for maximum protection with a minimum of fluid loss.

Faster

Immediate separation occurs at individually determined straight or angular pulling force. This non-destructive separation allows easy reassembly, with no shear pins, tools, or spare parts required.

- Protect loading-arm components
- Protect loading facility and personnel
- Prevent spills
- Reconnectable



For information on Safety Breakaway Couplings or Seal Replacement Kits, visit www.opw-es.com

SPECIFICATIONS AND MATERIALS OF CONSTRUCTION

Connections	FNPT or Flange (150/300#)
Sizes	1", 2", 3", 4"
Max. Pressure	360 psi (Alu 232 psi)
Materials	316 SST, Aluminum** (others available upon request)
Seals	Fluorocarbon, EPDM, FFKM



See a video featuring the NTS-PU Series Breakaway Couplings in action on our YouTube channel: www.youtube.com/user/opwengineeredsystems

