

# Compact Torsion Swivel (CTS) Hose Loader

The OPW Compact Torsion Swivel (CTS) Hose Loader can be used as a replacement on an existing arm or as a complete loading arm. It is also ideal for use as a replacement for loading arms in situations where tight clearances are required. The CTS Hose Loader features a fully integrated internal torsion spring for a streamlined profile. Ideal for replacing existing FMC TL Loaders or in any application where space is a premium.

The CTS Hose Loader has been engineered to be easier to adjust and maintain.

## Features:

- Fully integrated Torsion Spring
- Integral Upward/Downward Travel Stops
- Carbon-Steel/Aluminum Construction
- Low-Temperature Fluorocarbon Seals
- Braided Stainless-Steel or Rackmaster Composite Hose
- Available in Left-Hand, Right-Hand, Upfeed and Downfeed Configurations
- 360° Rotation Allows Loading on Both Sides of Loading Bay
- Removable End Cap for Easy Maintenance

## Benefits

- Safe, Easy Spring Adjustment
- Ideal for Extremely Tight Riser Spacings
- Horizontal Bearing Module for Added Strength and Ease of Maintenance



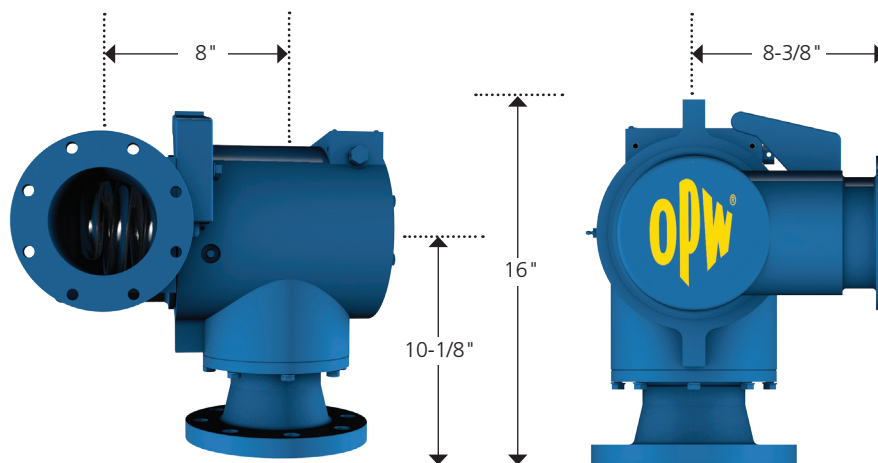
# Compact Torsion Swivel (CTS) Hose Loader

## Specifications

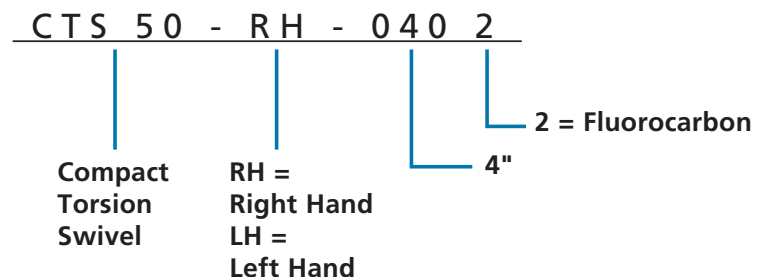
Materials	Carbon-Steel/Aluminum
Seals	Low-Temp Fluorocarbon
Working Pressure	125 psi (862 kPa)
Test Pressure	188 psi (1296 kPa)
Operating Temp	20°F to 140°F (-29°C to 60°C)
Up/Down Angular Movement	+45° to -15° (from horizontal)
Typical Horizontal Spacing	12" (305 mm)
Typical Vertical Spacing	12" (305 mm)
Typical Reach (radius)	45" to 60" (1,143 mm to 1,524 mm)
Typical No. of arms per bay	up to 5
Weight	103 lbs (47 kg)

## Accessories

Drop Spool	4" Aluminum or Carbon Steel	As Required
Drop Hose	4" Rackmaster Composite, 60" OAL, TTMA Flanged Ends	L19080
	4" Braided Stainless Steel, 60" OAL, TTMA Flanged Ends	L19081
Coupler Swivel	4" Style 30 (90°) Swivel Joint with Maneuvering Handle TTMA Flanged ends, Aluminum/ Low-Temp Fluorocarbon	3635FTH-0402
Butterfly Valve	4" Full-Flow, Position-Locked Butterfly Valve	LBV450VGL
Spacer Spool	4" Loading Arm Coupler Spool, TTMA Flanged Ends, Aluminum 6" OAL	VSS4
Sight Glass	4" Acrylic Sight Glass, Tempered, Cast Acrylic	BF4-SG-25
API Coupler	4" API Bottom-Loading Coupler	
	Manual Version:	1004D3-0402 (Fluorocarbon Seals)
	Semi-Automatic Version:	LYNX852VG (Fluorocarbon Seals)



## Ordering Information



Distributed by:

