

HT3-TL COUPLER

Transfer-Loading Safety Quick Coupling

Metal-to-metal wedge seal provides a secure connection

The HT3-TL Transfer-Loading Series is an all-purpose high-performance quick coupler designed for leak-proof sealing through a wide range of temperatures. The design offers a non-restrictive flow with no variation in pipe diameter. The reusable metal-to-metal wedge-sealing components further enhance the seal as temperature changes are encountered. The retaining ring ensures safe venting of any residual pressure.

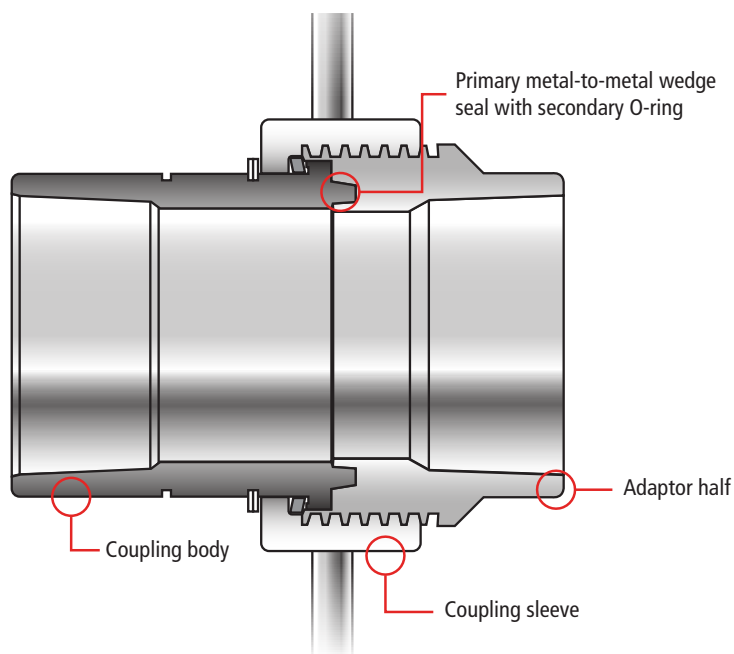
Features & Benefits:

- **IDEAL FOR CRYOGENICS** takes on virtually any pressure at any temperature
- **DESIGNED TO REPLACE** hammer unions and conventional CAM locking couplers
- **REUSABLE** metal-to-metal wedge seal with secondary redundant O-ring seal
- **NON-RESTRICTIVE FLOW** characteristics for faster hookups
- **UNIQUE AUTOMATIC SAFETY FEATURE** vents residual pressure
- **1" - 6" SIZE**
- **ELIMINATES BRUTE FORCE CONNECTIONS** (i.e. hammers & pipe wrenches) – reduces muscular-skeletal injuries
- **APPROVED FOR CHLORINE SERVICE**

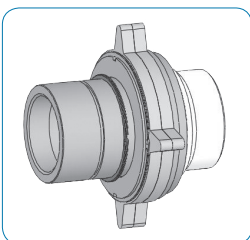


HT3-TL
Transfer-Loading
Coupler

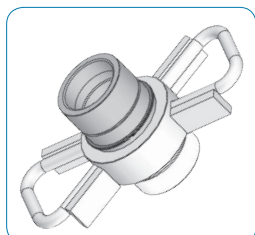
HT3-TL Series Metal-to-Metal Advantage



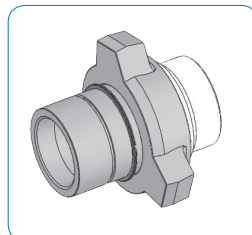
Available Sleeves



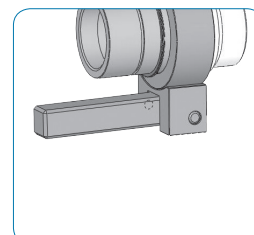
Lugged Sleeve available in 2" brass only



Loop-Handle Sleeve available in 1", 1-1/2", 2", 3" and 4"



Impact-Union Sleeve available in 2" only



Bar-Handle Sleeve available in 2", 3" and 4"

3TL Series Temperature and Pressure Ratings

Size	Fluorocarbon, Aflas®, Teflon®		EPDM		Buna-N		Neoprene		Max PSI	Max BAR
1" CS	400° F	204° C	300° F	149° C	248° F	120° C	275° F	135° C	3245	224
1" SST	400° F	204° C	300° F	149° C	248° F	120° C	275° F	135° C	2453	169
1-1/2" CS	400° F	204° C	300° F	149° C	248° F	120° C	275° F	135° C	3123	215
1-1/2" SST	400° F	204° C	300° F	149° C	248° F	120° C	275° F	135° C	2320	160
2" CS	400° F	204° C	300° F	149° C	248° F	120° C	275° F	135° C	2612	180
2" SST	400° F	204° C	300° F	149° C	248° F	120° C	275° F	135° C	2000	138
2" Brass	400° F	204° C	300° F	149° C	248° F	120° C	275° F	135° C	350	24
3" CS	400° F	204° C	300° F	149° C	248° F	120° C	275° F	135° C	963	66
3" SST	400° F	204° C	300° F	149° C	248° F	120° C	275° F	135° C	1008	69
4" CS	400° F	204° C	300° F	149° C	248° F	120° C	275° F	135° C	975	67
4" SST	400° F	204° C	300° F	149° C	248° F	120° C	275° F	135° C	736	51

NOTE: This chart represents the most commonly requested specifications. Call (513) 932-9114 if higher temperature and pressure tolerances are required.