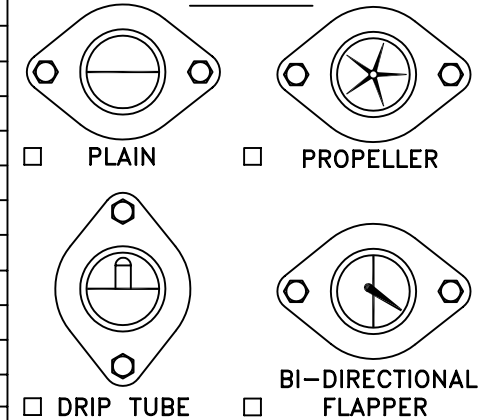


SIZE	3/4"	COMMENTS
A	4-5/8	
D	1-1/2	
E	3-7/8	
F	2-3/4	
G	4 (5/8)	
H	1-11/16	
J	1/2	
K (SHIELD HT.)	1/2	
WEIGHT (LBS)	5.2	

PARTS LIST			
PART NO.	NAME OF PART	QTY	MATERIAL
1	BODY	1	SEE BELOW
2	SEAL	1	SEE BELOW
3	GLASS	2	STD
4	RETAINING BRIDGE	2	SST
5	INDICATOR	1	SEE BELOW
6	SHAFT	1	SST
7	O-RING SEAL	1	SEE BELOW
8	GASKET	1	SEE BELOW
9	CAP PLATED STL	1	STL
10	SST TAG	1	SST
11	SHIELD (OPTIONAL)	1	PLEXIGLASS
12	SPACER	1	TEFLON

INDICATOR



STANDARD DESIGN MATERIALS:

SERIES OF UNIT: 1500 (TEMPERED BOROSILICATE GLASS, RYTON INDICATOR STND.)

1400 (SODA LIME GLASS, DELRIN INDICATOR STND.)

METAL:

ASTM A216 WCB CARBON STEEL
 ASTM A351 316L STAINLESS STEEL

OPTIONS:

TEFLON INDICATOR SEAL MT'L: VITON (STD 1500)
 SHIELD KIT BUNA-N
 NEOPRENE (STD 1400)
 EPT
 TEFLON

* 1/4"-4" ONLY
 * 1/4", 3/8" AND 1/2" ONLY

SERVICE RATINGS	MAX .PRESSURE	MAX. TEMP ¹
*1400 SERIES FLGD (6"-12")	150 PSI @150°F	150°F @150 PSI
*1400 SERIES THRD/FLG (1/4"-4")	200 PSI @150°F	225°F @150 PSI
*1500 SERIES FLGD (1"-12")	275 PSI @100°F ²	350°F @205 PSI ^{2,3}
*1500 SERIES THRD (1/4"-2")	400 PSI @150°F	350°F @200 PSI ³

1 WITH STD VITON SEALS
 2 STL UNITS RATED @ 285 PSI MAX. @ 100°, & 350° MAX. @215 PSI
 3 TEMPERATURES UP TO 500°F POSSIBLE WITH SPECIAL HIGH TEMPERATURE SEALS (CONSULT FACTORY)

FLANGED FJP VISI-FLO SFI



PH: 1-800-547-9393
 FAX: 1-800-245-8536

5-30-02