

A

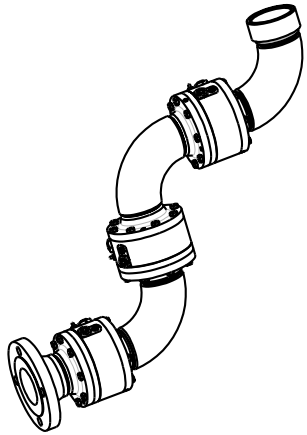
B

C

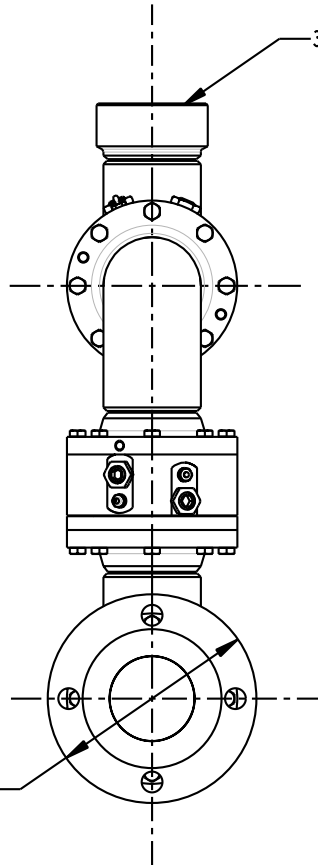
D

THIS DRAWING IS NOT TO BE SCALED. FOR ADDITIONAL INFORMATION. PLEASE CONTACT OUR ENGINEERING DEPT.

REVISIONS					
LTR	ECN #	DESCRIPTION	DRAWN	APPROVED	DATE
REL	41442	INITIAL RELEASE	SCK	-	-



SCALE 0.100



3" - 8 FNPT

21-13/32 REF

14-27/32 REF

Ø7-1/2 REF

150# FLANGE

13-1/32 REF

27-29/32 REF

NOTES:

1. AIR TEST @ 5 psi & 70 psi, OR HYDROSTATIC TEST PER CUSTOMER SPECIFICATION.
2. MAXIMUM PRESSURE 500 psi.

CONFIDENTIAL THIS DOCUMENT CONTAINS INFORMATION WHICH IS PROPRIETARY TO OPW, AND SHOULD BE PROTECTED ACCORDINGLY.

DESCRIPTION:

SWIVEL, 3" DSF STYLE 80FO

UNLESS OTHERWISE SPECIFIED
 TOLERANCES ON DIMENSIONS
 3 DECIMALS +/- 0.005
 2 DECIMALS +/- 0.015
 1 DECIMAL +/- 0.030
 ANGLES +/- 1/2 DEG
 MACHINED SURFACES 125 RMS MAX

SIGNATURES		MO-DA-YR
DRAWN: SCK		12/27/04
CHECKED:		
MATERIAL:	WEIGHT:	111 lbs.

REV: REL
 SIZE: C

PART NUMBER:
08X80FO-03XX

OPW Engineered Systems
 A **DOVER** Resources Company
 Lebanon, Ohio 45036 USA

SCALE: 0.220

SHEET 1 OF 1

3D GENERATED DRAWING

A

B

C

D