

A

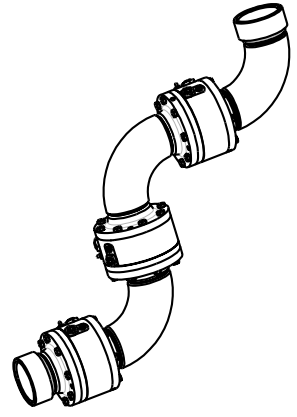
B

C

D

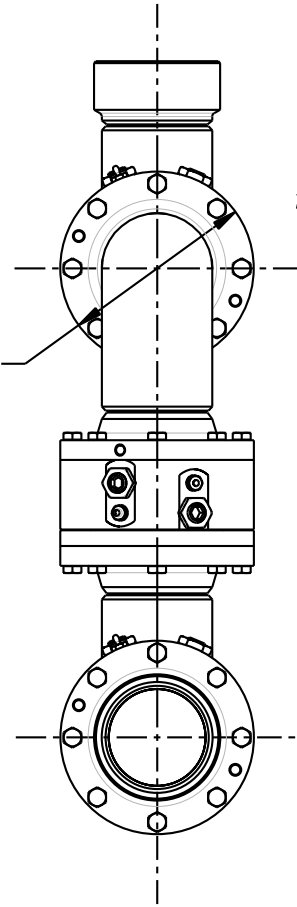
THIS DRAWING IS NOT TO BE SCALED. FOR ADDITIONAL INFORMATION. PLEASE CONTACT OUR ENGINEERING DEPT.

REVISIONS					
LTR	ECN #	DESCRIPTION	DRAWN	APPROVED	DATE
REL	41360	INITIAL RELEASE	SCK	NAC	10/13/03



SCALE 0.100

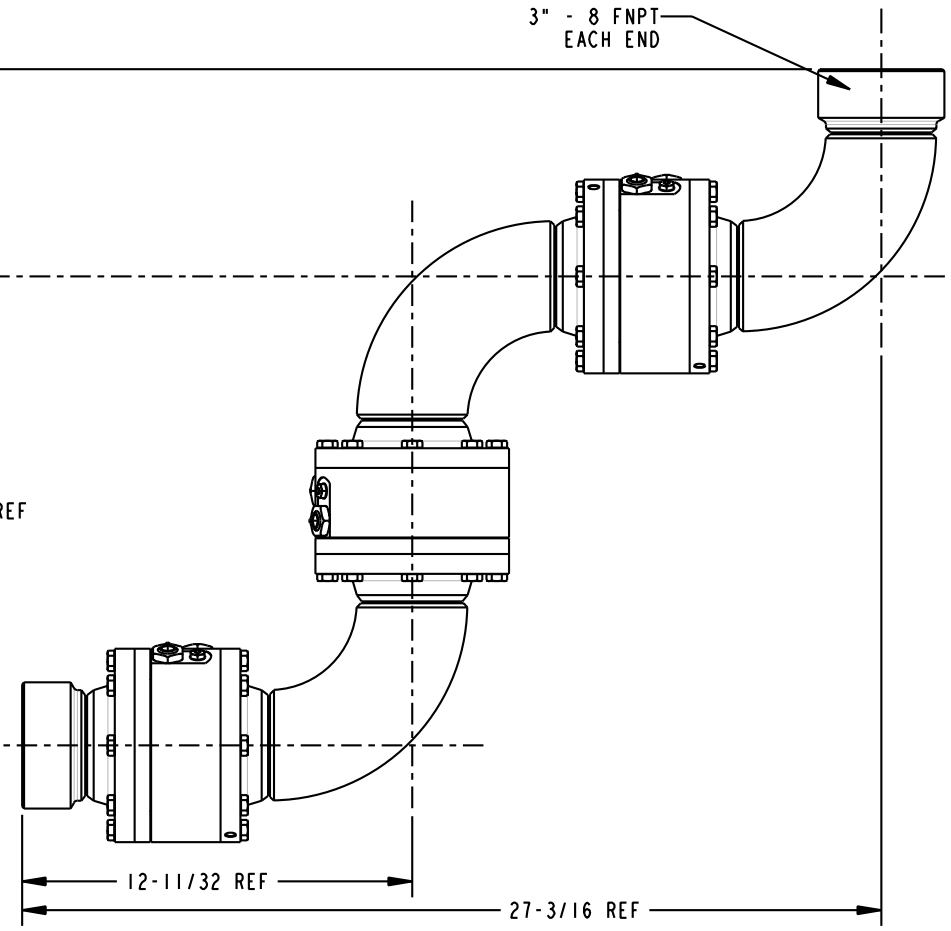
Ø6-1/8 REF



21-13/32 REF

14-27/32 REF

3" - 8 FNPT EACH END



12-11/32 REF

27-3/16 REF

- NOTES:
- AIR TEST @ 5 psi & 70 psi, OR HYDROSTATIC TEST PER CUSTOMER SPECIFICATION.
 - MAXIMUM PRESSURE 500 psi.

CONFIDENTIAL THIS DOCUMENT CONTAINS INFORMATION WHICH IS PROPRIETARY TO OPW, AND SHOULD BE PROTECTED ACCORDINGLY.		DESCRIPTION: SWIVEL, 3" DSF STYLE 80	
UNLESS OTHERWISE SPECIFIED TOLERANCES ON DIMENSIONS		REV: REL	
3 DECIMALS +/- 0.005	SIGNATURES	MO-DA-YR	PART NUMBER:
2 DECIMALS +/- 0.015	DRAWN: SCK	09/26/03	08X80-03XX
1 DECIMAL +/- 0.030	CHECKED: NAC	10/13/03	SCALE: 0.250
ANGLES +/- 1/2 DEG	MATERIAL:	WEIGHT: 93 lbs.	SHEET 1 OF 1
MACHINED SURFACES 125 RMS MAX			3D GENERATED DRAWING

A

B

C

D

1

1

2

2

3

3

4

4

OPW Engineered Systems
 A DOVER Resources Company
 Lebanon, Ohio 45036 USA