

A

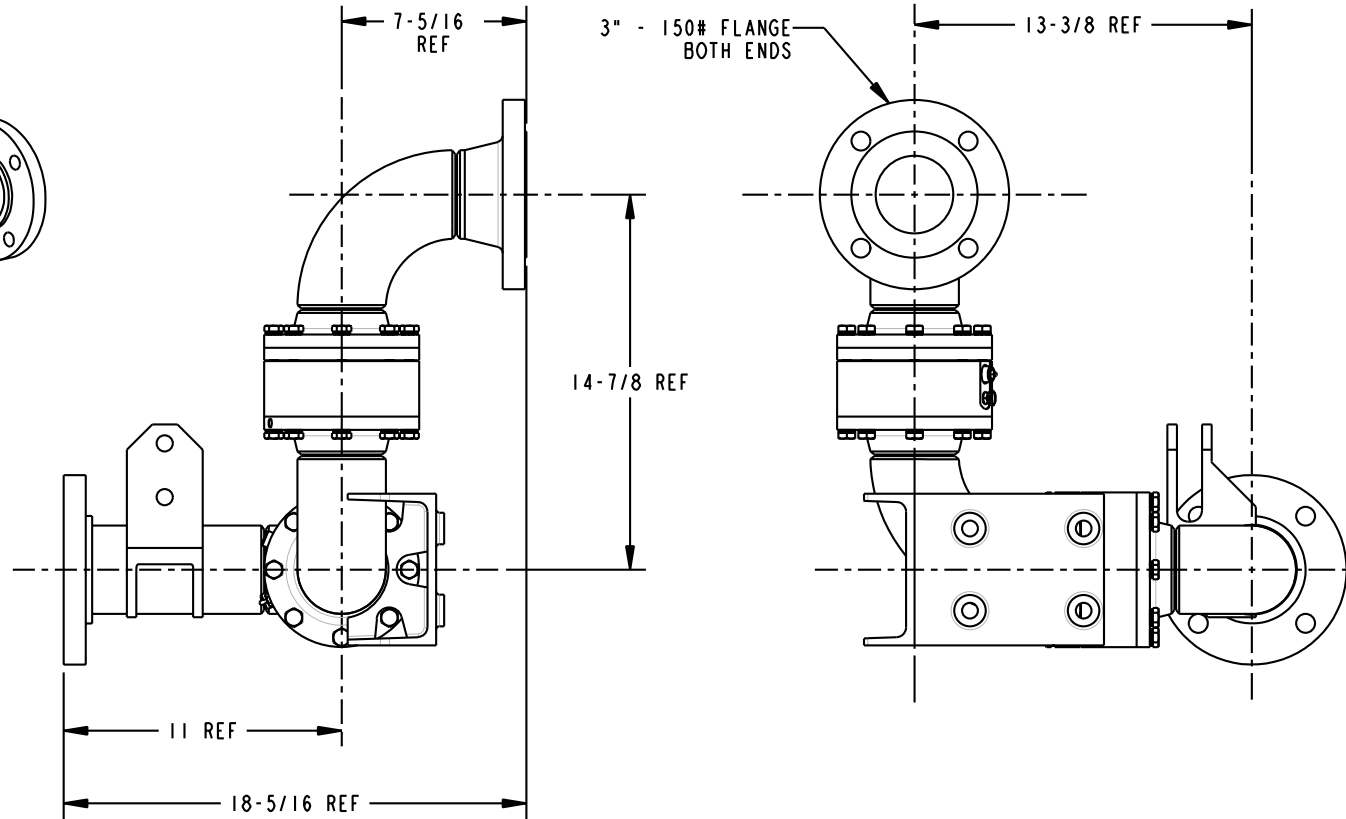
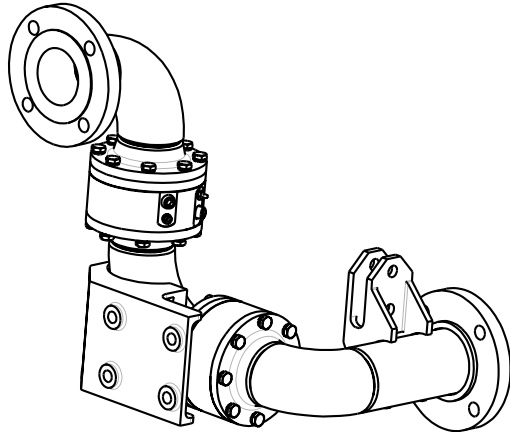
B

C

D

THIS DRAWING IS NOT TO BE SCALED. FOR ADDITIONAL INFORMATION, PLEASE CONTACT OUR ENGINEERING DEPT.

REVISIONS					
LTR	ECN #	DESCRIPTION	DRAWN	APPROVED	DATE
-	-	-	-	-	-



CONFIDENTIAL THIS DOCUMENT CONTAINS INFORMATION WHICH IS PROPRIETARY TO OPW, AND SHOULD BE PROTECTED ACCORDINGLY.

DESCRIPTION: 3" ENDURA DSF SPRING BALANCE SWIVEL, DFRH

SIGNATURES		MO-DA-YR	REV:
DRAWN:	SCK	01/14/10	-
CHECKED:	-	-	-
MATERIAL:	CST	WEIGHT:	-

SIZE: C	PART NUMBER:
	8476FSD-03XX
SCALE: 0.200	SHEET 1 OF 1

OPW Engineered Systems
 A **DOVER** Resources Company
 Lebanon, Ohio 45036 USA
 3D GENERATED DRAWING

A

B

C

D