

A

B

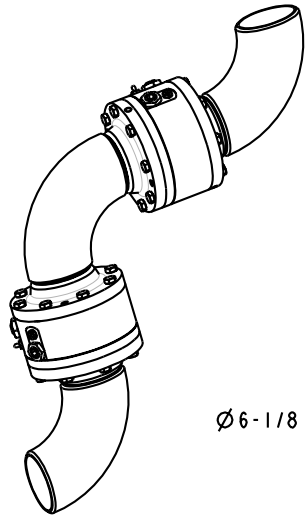
C

D

THIS DRAWING IS NOT TO BE SCALED. FOR ADDITIONAL INFORMATION, PLEASE CONTACT OUR ENGINEERING DEPT.

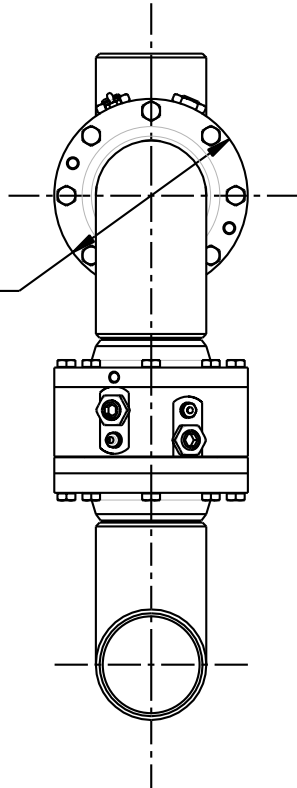
REVISIONS

LTR	ECN #	DESCRIPTION	DRAWN	APPROVED	DATE
REL	41360	INITIAL RELEASE	SCK	NAC	10/13/03



SCALE 0.150

Ø6-1/8 REF

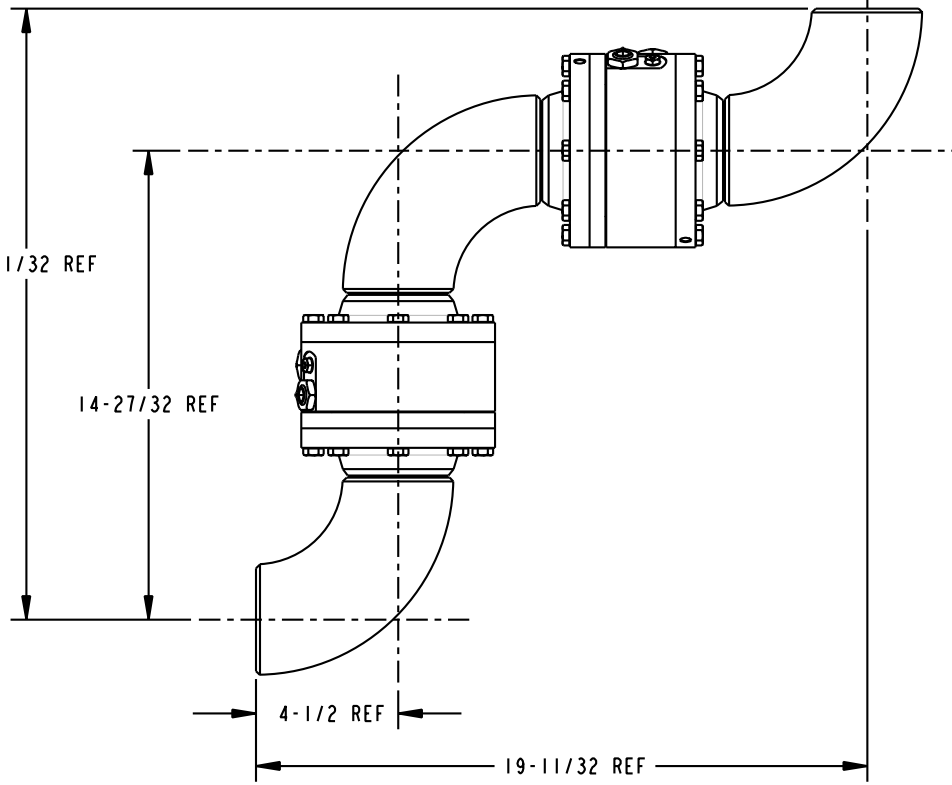


19-11/32 REF

14-27/32 REF

4-1/2 REF

19-11/32 REF



NOTES:

1. AIR TEST @ 5 psi & 70 psi, OR HYDROSTATIC TEST PER CUSTOMER SPECIFICATION.
2. MAXIMUM PRESSURE 500 psi.

CONFIDENTIAL THIS DOCUMENT CONTAINS INFORMATION WHICH IS PROPRIETARY TO OPW, AND SHOULD BE PROTECTED ACCORDINGLY.

DESCRIPTION:

SWIVEL, 3" DSF STYLE 70W

UNLESS OTHERWISE SPECIFIED

TOLERANCES ON DIMENSIONS  
 3 DECIMALS +/- 0.005  
 2 DECIMALS +/- 0.015  
 1 DECIMAL +/- 0.030  
 ANGLES +/- 1/2 DEG  
 MACHINED SURFACES 125 RMS MAX

SIGNATURES

MO-DA-YR

REV.

DRAWN: SCK

09/26/03

REL

CHECKED: NAC

10/13/03

SIZE: C

MATERIAL:

WEIGHT: 63.5 lbs.

C

PART NUMBER:

08X70W-03XX

SCALE: 0.250

SHEET 1 OF 1

OPW Engineered Systems  
 A DOVER Resources Company  
 Lebanon, Ohio 45036 USA

3D GENERATED DRAWING

A

B

C

D