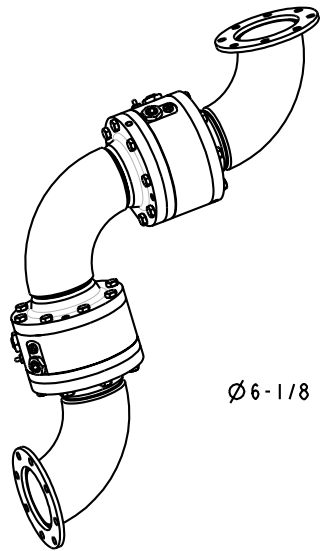
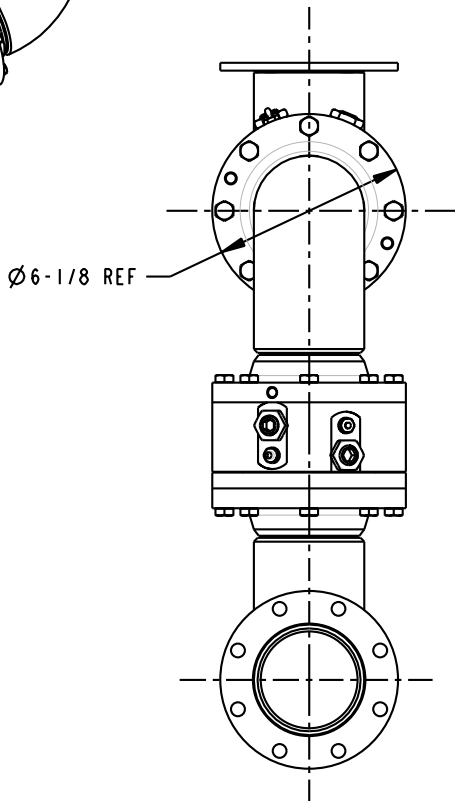


THIS DRAWING IS NOT TO BE SCALED. FOR ADDITIONAL INFORMATION, PLEASE CONTACT OUR ENGINEERING DEPT.

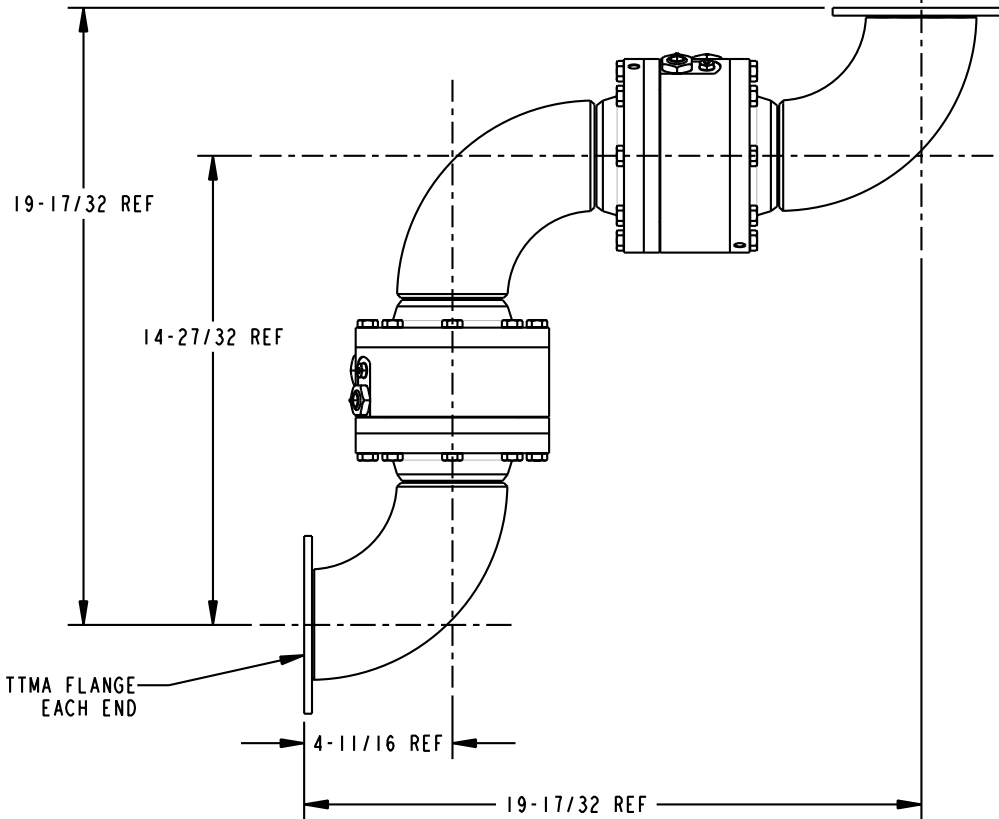
REVISIONS					
LTR	ECN #	DESCRIPTION	DRAWN	APPROVED	DATE
REL	41360	INITIAL RELEASE	SCK	NAC	10/13/03



SCALE 0.150



Ø6-1/8 REF



19-17/32 REF

14-27/32 REF

TTMA FLANGE
EACH END

4-11/16 REF

19-17/32 REF

NOTES:

1. AIR TEST @ 5 psi & 70 psi, OR HYDROSTATIC TEST PER CUSTOMER SPECIFICATION.
2. MAXIMUM PRESSURE 500 psi.

CONFIDENTIAL THIS DOCUMENT CONTAINS INFORMATION WHICH IS PROPRIETARY TO OPW, AND SHOULD BE PROTECTED ACCORDINGLY.

DESCRIPTION:

SWIVEL, 3" DSF STYLE 70FT

UNLESS OTHERWISE SPECIFIED
TOLERANCES ON DIMENSIONS
3 DECIMALS +/- 0.005
2 DECIMALS +/- 0.015
1 DECIMAL +/- 0.030
ANGLES +/- 1/2 DEG
MACHINED SURFACES 125 RMS MAX

SIGNATURES		MO-DA-YR	REV.
DRAWN:	SCK	09/26/03	REL
CHECKED:	NAC	10/13/03	SIZE:
MATERIAL:		WEIGHT:	C
		65.5 lbs.	

PART NUMBER:	SCALE: 0.250	SHEET 1 OF 1
08X70FT-03XX		

OPW Engineered Systems
A **DOVER** Resources Company
Lebanon, Ohio 45036 USA
3D GENERATED DRAWING