

A

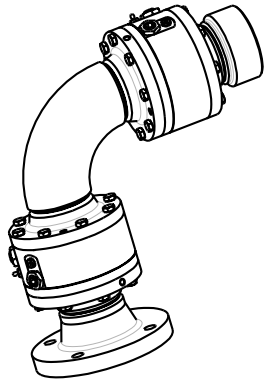
B

C

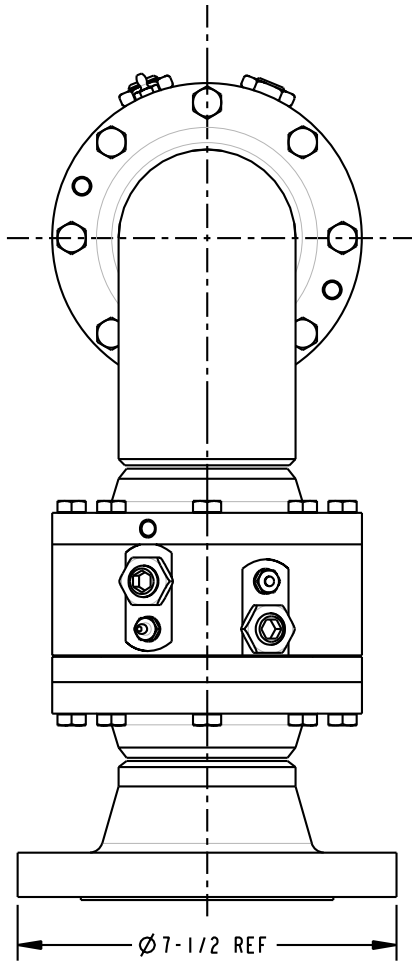
D

THIS DRAWING IS NOT TO BE SCALED. FOR ADDITIONAL INFORMATION. PLEASE CONTACT OUR ENGINEERING DEPT.

REVISIONS					
LTR	ECN #	DESCRIPTION	DRAWN	APPROVED	DATE
REL	41360	INITIAL RELEASE	SCK	NAC	10/13/03

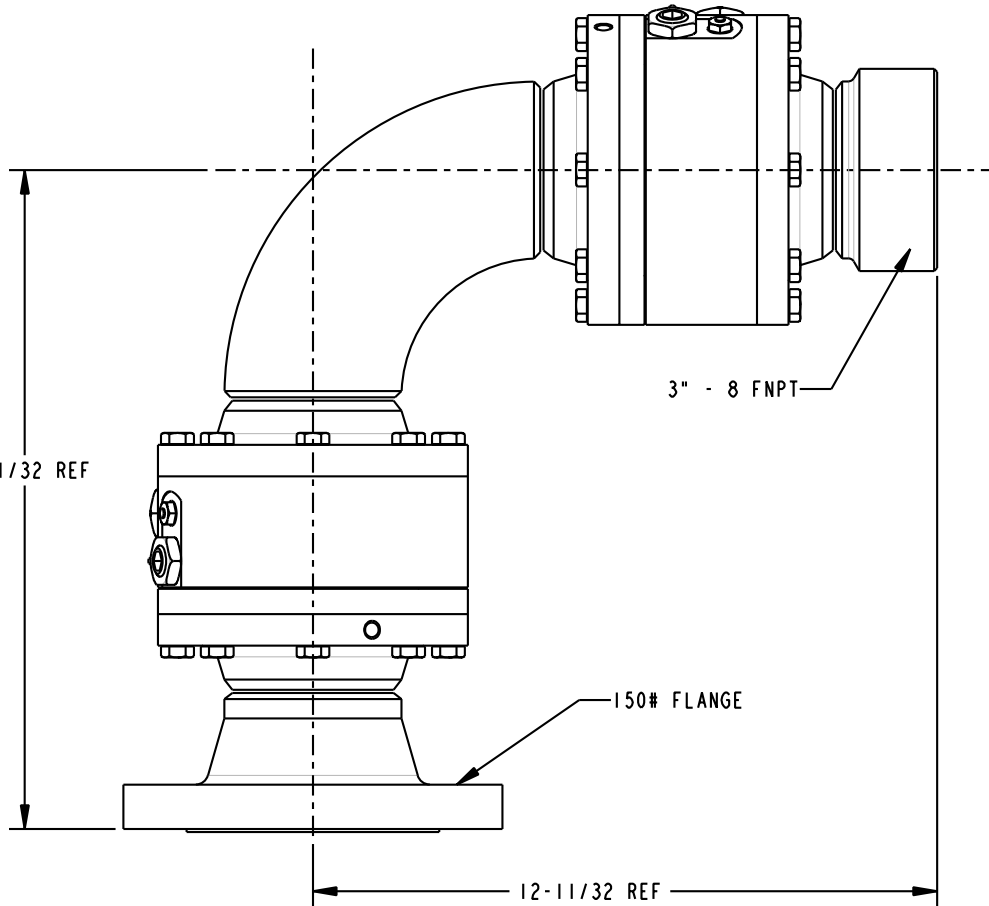


SCALE 0.150



Ø7-1/2 REF

13-1/32 REF



3" - 8 FNPT

150# FLANGE

12-11/32 REF

NOTES:

- AIR TEST @ 5 psi & 70 psi, OR HYDROSTATIC TEST PER CUSTOMER SPECIFICATION.
- MAXIMUM PRESSURE 500 psi.

CONFIDENTIAL THIS DOCUMENT CONTAINS INFORMATION WHICH IS PROPRIETARY TO OPW, AND SHOULD BE PROTECTED ACCORDINGLY.		DESCRIPTION: SWIVEL, 3" DSF STYLE 60FO	
UNLESS OTHERWISE SPECIFIED TOLERANCES ON DIMENSIONS		SIGNATURES	
3 DECIMALS +/- 0.005	2 DECIMALS +/- 0.015	MO-DA-YR	REV. REL
1 DECIMAL +/- 0.030	ANGLES +/- 1/2 DEG	09/26/03	10/13/03
MACHINED SURFACES 125 RMS MAX		MATERIAL:	WEIGHT: 68 lbs.
			SIZE: C
			PART NUMBER: 08X60FO-03XX
			SCALE: 0.400 SHEET 1 OF 1

OPW **Engineered Systems**
 A **DOVER** Resources Company
 Lebanon, Ohio 45036 USA

3D GENERATED DRAWING

A

B

C

D